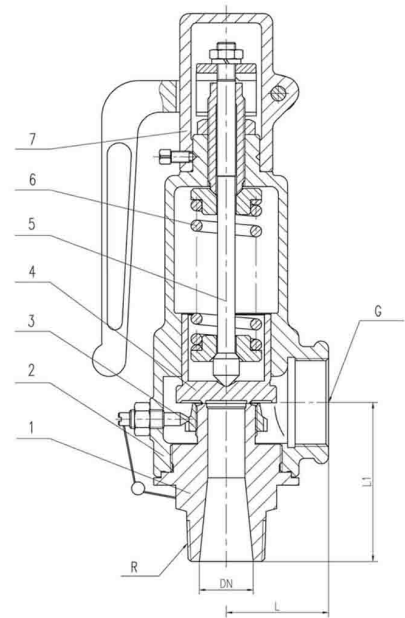
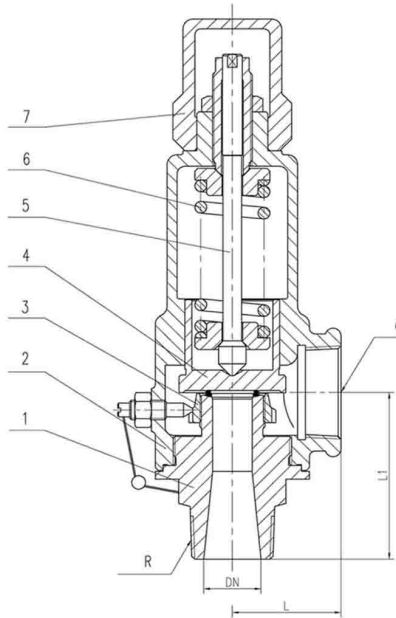


## SAFETY VALVE SCREWED END

Model : ARV-207SE



### Specification

Type	Without Lever	With Lever
<b>Working Fluid</b>	Steam, Air, Liquid	Steam, Air
<b>Shell Test Pressure</b>	1.6 Mpa	
<b>Working Temperature</b>	≤ 200°C	
<b>Connection</b>	BSPT	

### Material

No	PART	MATERIAL
1	NOZZLE	2Cr13
2	BODY	WCB
3	ADJUSTING RING	2Cr13
4	DISC	2Cr13
5	STEM	2Cr13
6	SPRING	50CrVA
7	CAP	WCB

### Dimension in mm

DN	R	G	L	L1
15	1/2"	1/2"	37	54
20	3/4"	3/4"	37	55
25	1"	1"	43	61
32	1.1/4"	1.1/4"	37	76
40	1.1/2"	1.1/2"	58	84
50	2"	2"	68	101
65	2.1/2"	2.1/2"	78	124
80	3"	3"	108	147



UNIMECH GROUP, MALAYSIA



A MEMBER OF UNIMECH GROUP, MALAYSIA

## SAFETY VALVE SCREWED END

Model : ARV-207SE

### Flow Capacities for Steam(KG/H)

	DN15	DN20	DN25	DN32	DN40	DN50	DN65	DN80
<b>0.1 MPa</b>	11	22	38	69	117	141	275	467
<b>0.2 MPa</b>	16	33	57	105	178	215	419	712
<b>0.3 MPa</b>	22	45	77	141	239	289	562	957
<b>0.4 MPa</b>	27	56	96	177	300	364	706	1202
<b>0.5 MPa</b>	33	68	116	213	362	438	850	1447
<b>0.6 MPa</b>	38	79	136	249	423	512	994	1691
<b>0.7 MPa</b>	44	91	155	285	484	586	1138	1936
<b>0.8 MPa</b>	49	102	175	320	545	660	1282	2181
<b>0.9 MPa</b>	55	114	195	356	606	734	1426	2426
<b>1.0 MPa</b>	60	125	214	392	668	808	1570	2671
<b>1.1 MPa</b>	66	137	234	428	729	882	1714	2915
<b>1.2 MPa</b>	71	148	254	464	790	956	1857	3160
<b>1.3 MPa</b>	77	160	273	500	851	1030	2001	3405
<b>1.4 MPa</b>	82	171	293	536	912	1104	2145	3650
<b>1.5 MPa</b>	88	183	313	572	974	1174	2289	3895
<b>1.6 MPa</b>	93	194	332	608	1035	1252	2433	4139

### Flow Capacities for Water (KG/H)

	DN15	DN20	DN25	DN32	DN40	DN50	DN65	DN80
<b>0.1 MPa</b>	378	741	967	1999	3401	4115	7996	13604
<b>0.2 MPa</b>	534	1047	1368	2827	4810	5820	11309	19240
<b>0.3 MPa</b>	655	1283	1676	3463	5891	7128	13850	23564
<b>0.4 MPa</b>	756	1481	1935	3998	6802	8231	15993	27209
<b>0.5 MPa</b>	845	1656	2163	4470	7605	9202	17880	30420
<b>0.6 MPa</b>	926	1814	2370	4897	8331	10081	19587	33324
<b>0.7 MPa</b>	1000	1960	2560	5289	8999	10888	21156	35994
<b>0.8 MPa</b>	1069	2095	2736	5654	9620	11640	22617	38479
<b>0.9 MPa</b>	1134	2222	2902	5997	10203	12346	23989	40813
<b>1.0 MPa</b>	1195	2342	3059	6322	10755	13014	25287	43021
<b>1.1 MPa</b>	1253	2457	3209	6630	11280	13649	26521	45121
<b>1.2 MPa</b>	1309	2566	3351	6925	11782	14256	27700	47127
<b>1.3 MPa</b>	1363	2671	3488	7208	12263	14838	28831	49052
<b>1.4 MPa</b>	1414	2771	3620	7480	12726	15398	29920	50903
<b>1.5 MPa</b>	1464	2869	3747	7742	13172	15939	30970	52690
<b>1.6 MPa</b>	1512	2963	3870	7996	13604	16461	31986	54418

The contents of this literature are for informative purposes only. Arita is not responsible for suitability or compatibility of these products in relation to system requirement. For specific requirements, consult Arita or its distributors. Arita reserves the right to change or modify product design without prior notice.