

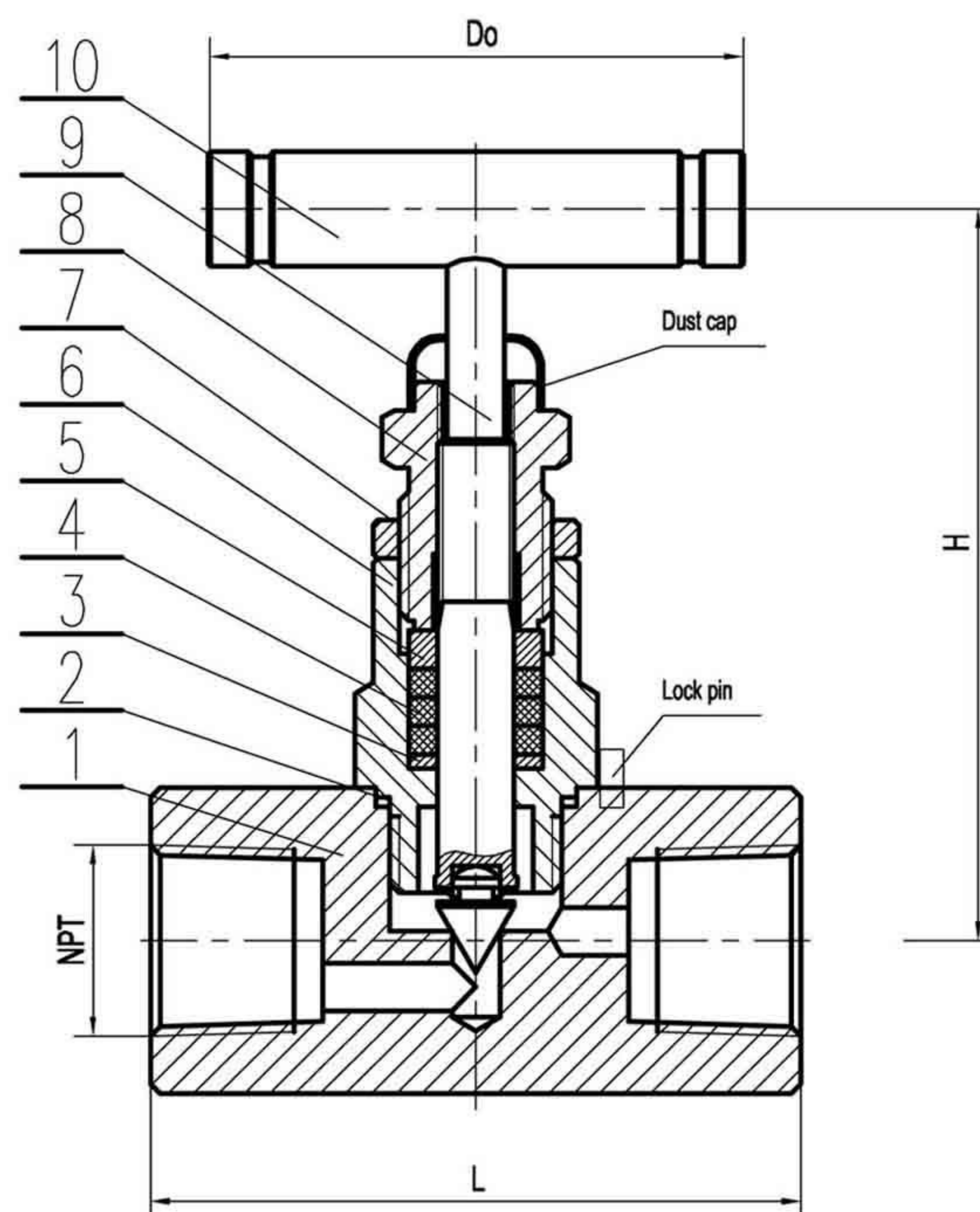
UNIMECH GROUP, MALAYSIA



A MEMBER OF UNIMECH GROUP, MALAYSIA

NEEDLE VALVE SCREWED END

Model : ARV-118SE



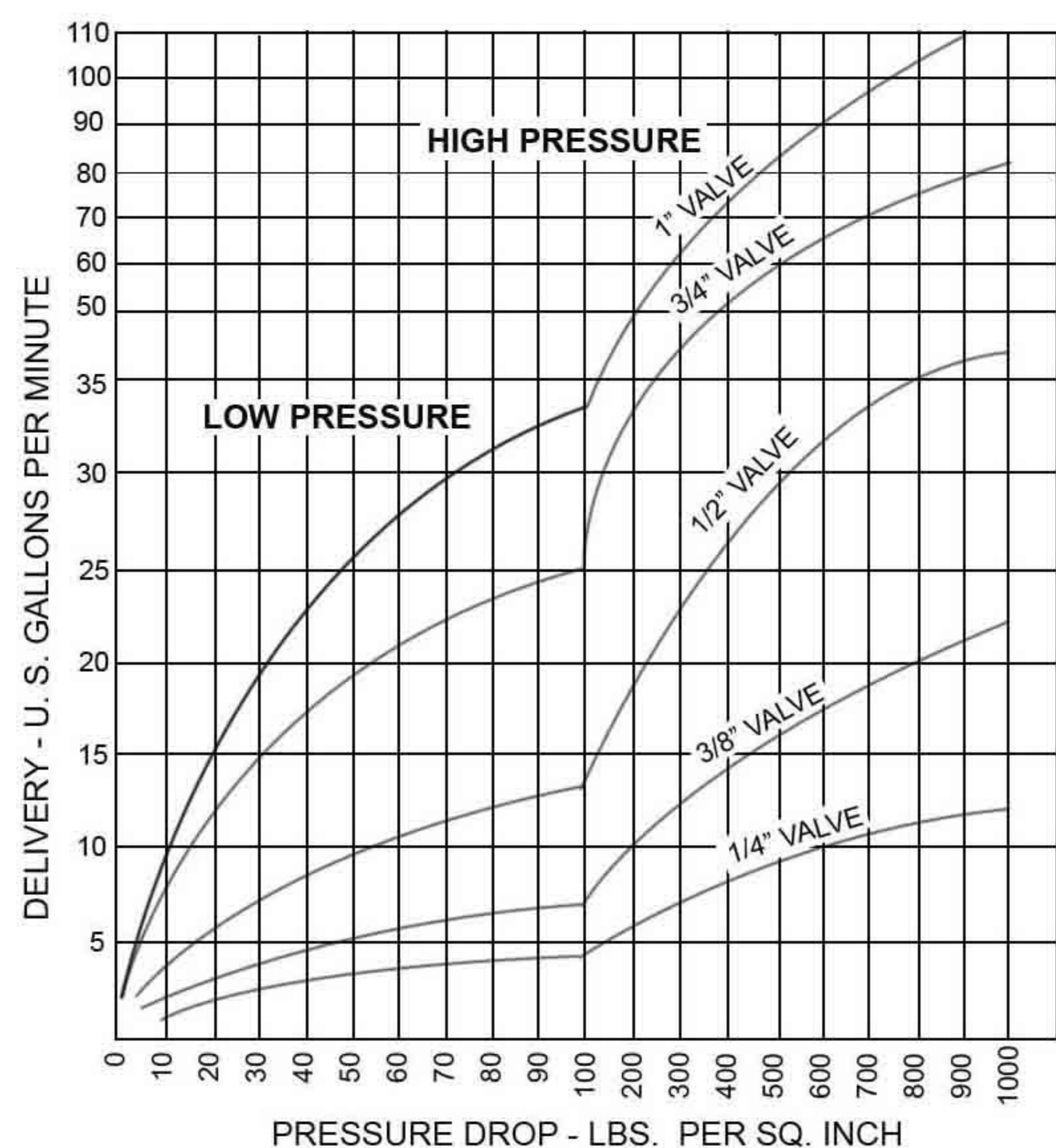
Specifications :

- T-bar Handle
- Teflon Packing
- Roll-formed Stem Thread
- Shell Test : 10,000 PSI
- Seal Test : 6,000 PSI
- Screwed End
- Adjustable Gland Ring
- Metal-to-metal Seat

Technical Data

Material

No	PART	MATERIAL
1	BODY	SS 316
2	SUPPORTS	SS 316
3	PACKING SEAT	PTFE
4	PACKING	SS 316
5	PRESSURE RING	SS 316
6	BONNET	SS 316
7	PANEL NUT	SS 316
8	PACKING BOLT	SS 316
9	STEM	SS 316
10	DISC	SS 316
11	HANDLE	SS 304



Dimension in mm

DN	L	H	Do
6	57	78	57
10	57	78	57
15	68	92	63
20	80	119	80
25	90	100	90

The contents of this literature are for informative purposes only. Arita is not responsible for suitability or compatibility of these products in relation to system requirement. For specific requirements, consult Arita or its distributors. Arita reserves the right to change or modify product design without prior notice.