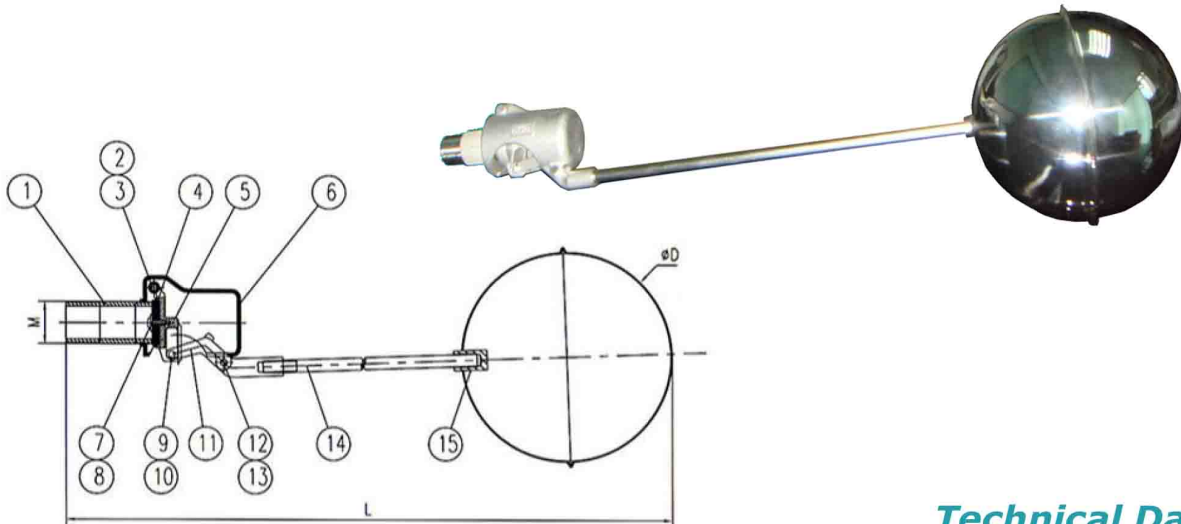


BALL FLOAT VALVE SCREWED END

Model : ARV-119SE



Technical Data

Material

No	PART	MATERIAL
1	CONNECT TUBE	304
2	PIN	304
3	HEX. NUT	304
4	SEAT	SILICONE RUBBER
5	DISC	304
6	BODY	304
7	NUT	304
8	WASHER	304
9	BOLT	304
10	NUT	304
11	LEVER	304
12	PIN	304
13	LOCKLIN	304
14	BAR	304
15	FLOAT BALL	304

Specifications :

Application : Water, Sea Water, Diesel Oil, HFO Oil

Working Pressure : 10 bar

Testing Pressure : 15 bar

Pipe thread in accordance : BSPT Screwed End

Investment Casting Body

Material : SS304 / ASTM A351 Gr.CF8 / DIN 1.4 308

Dimension in mm

M	L	ØD	Ball Thickness	Wt. (KG)
15	450	125	0.65 - 0.7	0.5
20	460	125	0.65 - 0.7	0.7
25	595	160	0.8	1.2
32	600	160	0.8	1.3
40	715	250	1.5	3.4
50	820	250	1.5	4