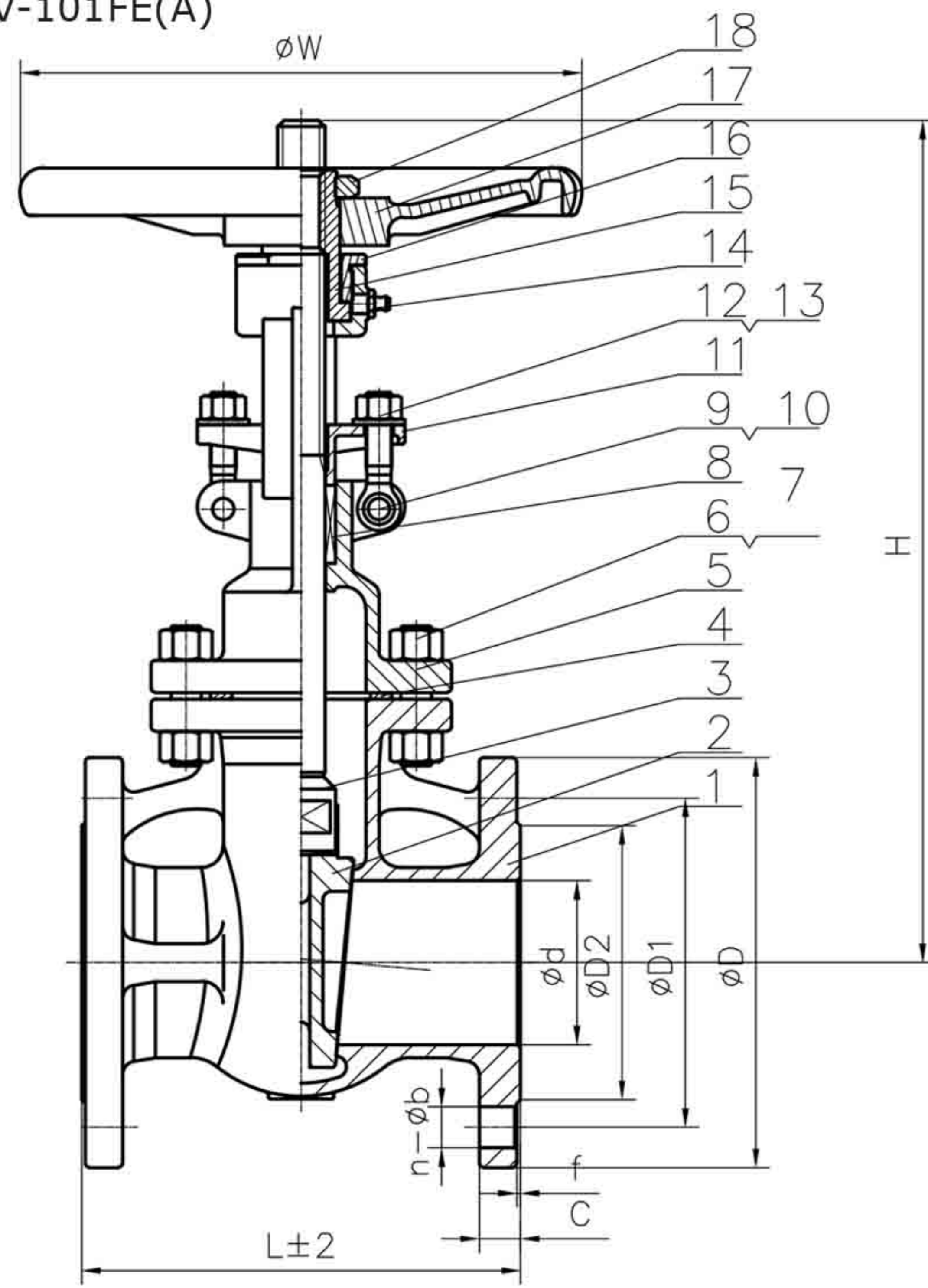


## GATE VALVE FLANGED END ANSI 150

Model : ARV-101FE(A)



### Features :

Design and manufacture according to API 603

Face to Face : ASME B16.10

End Flange dimension according to ASME B16.5

Inspection and Test : API 598

### Material

No	PART	MATERIAL	
1	BODY	A351 CF8	A351 CF8M
2	DISC	A351 CF8	A351 CF8M
3	STEM	F304	F316
4	GASKET	SS304+Graphite	SS316+Graphite
5	BONNET	A351+CF8	A351+CF8M
6	BOLT	A2-70/304	
7	NUT	A2-70/304	
8	PACKING	GRAPHITE	
9	PIN	SS304	
10	GLAND BOLT	A2-70/304	
11	GLAND	A351 CF8	
12	SPRING WASHER	304	
13	NUT	A2-70/304	
14	LUBRICATOR	H62	
15	STEM NUT	CU	
16	RETAINING NUT	A351 CF8	
17	HANDWHEEL	QT200	
18	H.W.LOCK NUT	A351 CF8	

Nominal pressure	150 LB	
Test Pressure	Shell Test	3.0 Mpa
	Seal Test	2.2 Mpa
Applicable Medium	Water, Oil, Gas	
Applicable Temperature	-29 ~ 425 °C	

### Dimension in mm

SIZE		d	L	D	D1	D2	C	f	n-Ød	W	H
DN	in.										
15	1/2"	15	108	89	60.5	35	10	1.6	4-Ø15	100	151
20	3/4"	20	117	98	70	43	11	1.6	4-Ø15	100	158
25	1"	25	127	108	79.5	51	12	1.6	4-Ø15	125	190
32	1.1/4"	32	160	117	89	64	13	1.6	4-Ø15	160	217
40	1.1/2"	40	165	125	98.5	73	17.4	2	4-Ø16	180	275
50	2"	50	178	150	120.7	92.1	16.3	2	4-Ø19	200	309
65	2.1/2"	65	191	180	139.7	104.8	17.9	2	4-Ø19	240	343
80	3"	80	203	190	152.4	127	19.5	2	4-Ø19	260	390
100	4"	100	229	230	190.5	157.2	24.3	2	8-Ø19	280	451
125	5"	125	254	255	215.9	185.7	24.3	2	8-Ø23	300	517
150	6"	150	267	280	241.3	215.9	25.9	2	8-Ø23	320	587
200	8"	200	292	345	298.5	269.9	29	2	8-Ø23	350	729
250	10"	250	330	405	362	323.8	30.6	2	12-Ø26	400	870
300	12"	300	360	485	431.8	381	32.2	2	12-Ø25	-	-
350	14"	350	380	535	476	413	35.4	2	12-Ø29	-	-

The contents of this literature are for informative purposes only. Arita is not responsible for suitability or compatibility of these products in relation to system requirement. For specific requirements, consult Arita or its distributors. Arita reserves the right to change or modify product design without prior notice.