



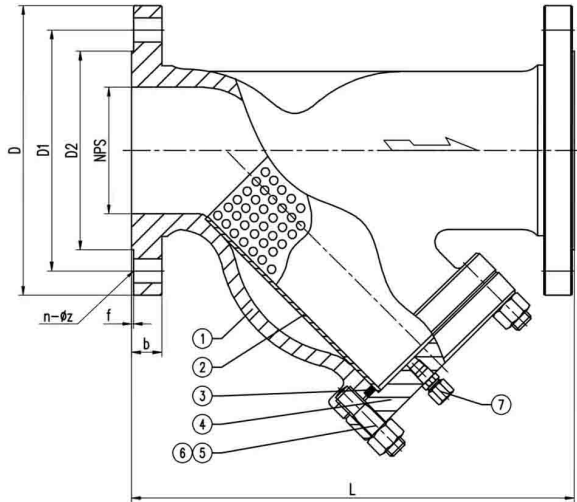
UNIMECH GROUP, MALAYSIA



A MEMBER OF UNIMECH GROUP, MALAYSIA

Y-STRAINER FLANGED END 300 LB

Model : ARV-205FE(A)



Technical Data

Specification

Nominal Pressure	CL 300
Shell Test Pressure	7.5 Mpa
Working Temperature	-29 ~ 425 °C
Suitable Medium	Water, Oil, Gas

Material

No	PART	MATERIAL
1	BODY	ASTM A216 WCB
2	SCREEN	SS304
3	GASKET	GRAPHITE + 304
4	BONNET	ASTM A216 WCB
5	BOLT	ASTM A193 B7
6	NUT	ASTM A194 2H
7	PLUG	SS

Dimension in mm

NPS	DN	L	D	D1	D2	f	b	n-Øz
1/2"	15	155	95	66.7	34.9	2	14.7	4-Ø16
3/4"	20	200	115	82.6	42.9	2	16.3	4-Ø19
1"	25	200	125	88.9	50.8	2	17.9	4-Ø19
1.1/4"	32	211	135	98.4	63.5	2	19.5	4-Ø19
1.1/2"	40	242	155	114.3	73	2	21.1	4-Ø22
2"	50	268	165	127	92.1	2	22.7	8-Ø19
2.1/2"	65	303	190	149	104.8	2	25.9	8-Ø22
3"	80	323	210	168.3	127	2	29	8-Ø22
4"	100	320	255	200	157.2	2	32.2	8-Ø22
5"	125	400	280	235	185.7	2	35.4	8-Ø22
6"	150	425	320	269.9	215.9	2	37	12-Ø22
8"	200	480	380	330.2	269.9	2	41.7	12-Ø25
10"	250	620	445	387.4	323.8	2	48.1	16-Ø29
12"	300	600	520	450.8	381.0	2	51.3	16-Ø32

The contents of this literature are for informative purposes only. Arita is not responsible for suitability or compatibility of these products in relation to system requirement. For specific requirements, consult Arita or its distributors. Arita reserves the right to change or modify product design without prior notice.

Our Ref. : ARS/CI8- 07/21