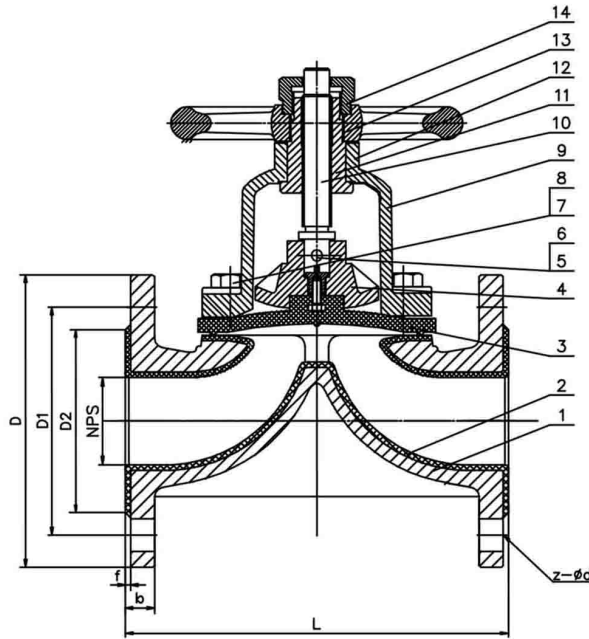


RUBBER LINED DIAPHRAGM VALVE FLANGED END ANSI 150

Model : ARV-220FE(A)



Nominal Pressure		150 LB
Test Pressure	Shell Test Pressure	3.0 Mpa
	Seal Test	2.2 Mpa

Material

No	PART	MATERIAL
1	BODY	ASTM A216 WCB
2	DIAPHRAGM	NBR
3	LINING GLUE	RUBBER
4	DISC	ASTM A216 WCB
5	PIN SHAFT	CS
6	PIN	ASTM A276 410
7	NUTS	ASTM A194 2H
8	BOLTS	ASTM A193 B7
9	BONNET	ASTM A216 WCB
10	STEM	F6a
11	STEM NUT	ASTM B148 C95800
12	CUP	UNIT
13	HANDWHEEL	ASTM A47 32510
14	NUT	ASTM A29 1035

Dimension in mm

NPS	L	D	D1	D2	f	b	z-Ød
1/2"	125	90	60.3	34.9	2	10	4-Ø16
3/4"	135	100	69.9	42.9	2	10.9	4-Ø16
1"	145	110	79.4	50.8	2	11.6	4-Ø16
1.1/4"	160	115	88.9	63.5	2	13.2	4-Ø16
1.1/2"	180	125	98.4	73	2	14.7	4-Ø16
2"	210	150	120.7	92.1	2	16.3	4-Ø19
2.1/2"	250	180	139.7	104.8	2	17.9	4-Ø19
3"	300	190	152.4	127	2	19.5	4-Ø19
4"	350	230	190.5	157.2	2	24.3	8-Ø19
5"	400	255	215.9	185.7	2	24.3	8-Ø22
6"	460	280	241.3	215.9	2	25.9	8-Ø22
8"	570	345	298.5	269.9	2	29	8-Ø22
10"	680	405	362	323.8	2	30.6	12-Ø25
12"	790	485	431.8	381	2	32.2	12-Ø25