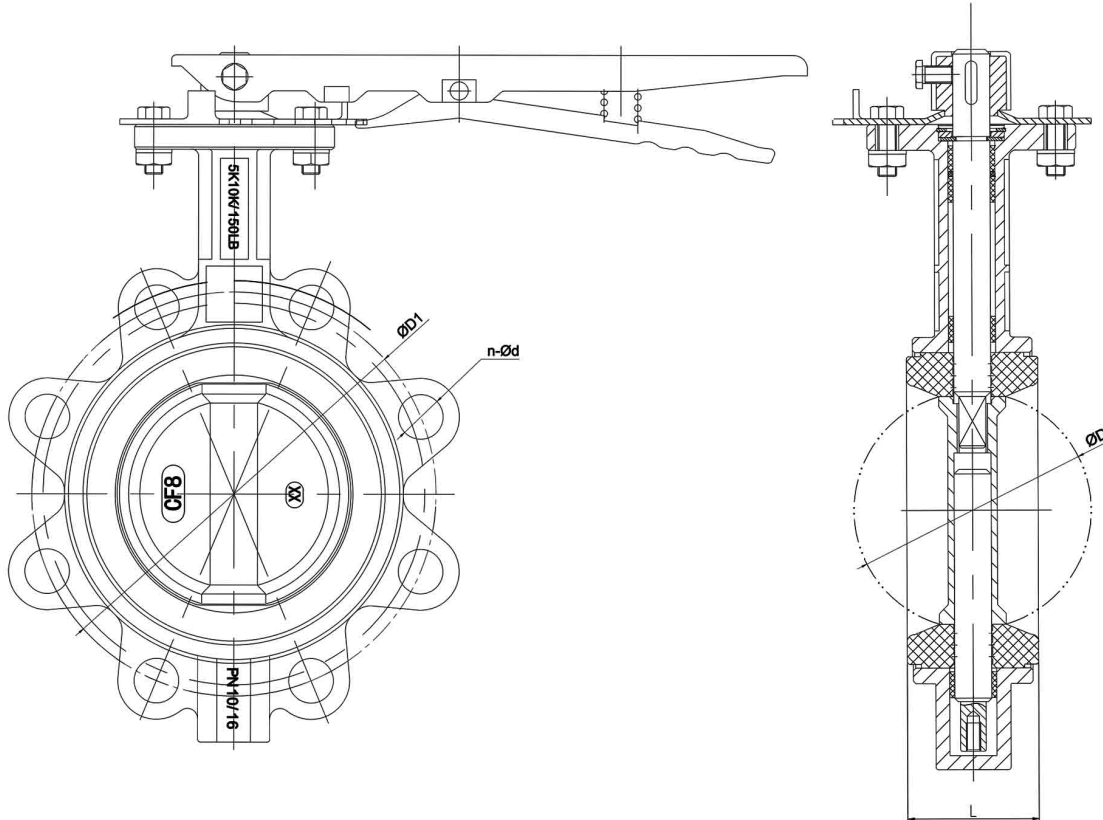


## LUG TYPE BUTTERFLY VALVE FLANGED END JIS 5K

Model : ARV-212LT(J)



<b>Nominal Pressure</b>		<b>JIS 5 K</b>
<b>Test Pressure</b>	<b>Shell Test Pressure</b>	2.4 Mpa
	<b>Air Seal Test</b>	1.75 Mpa
<b>Suitable Temperature</b>		-20 ~ 80 °C
<b>Suitable Medium</b>		Water, Oil, Gas

### Material

No	PART	MATERIAL
1	BODY	WCB
2	DISC	CF8
3	SEAT	NBR
4	STEM	416

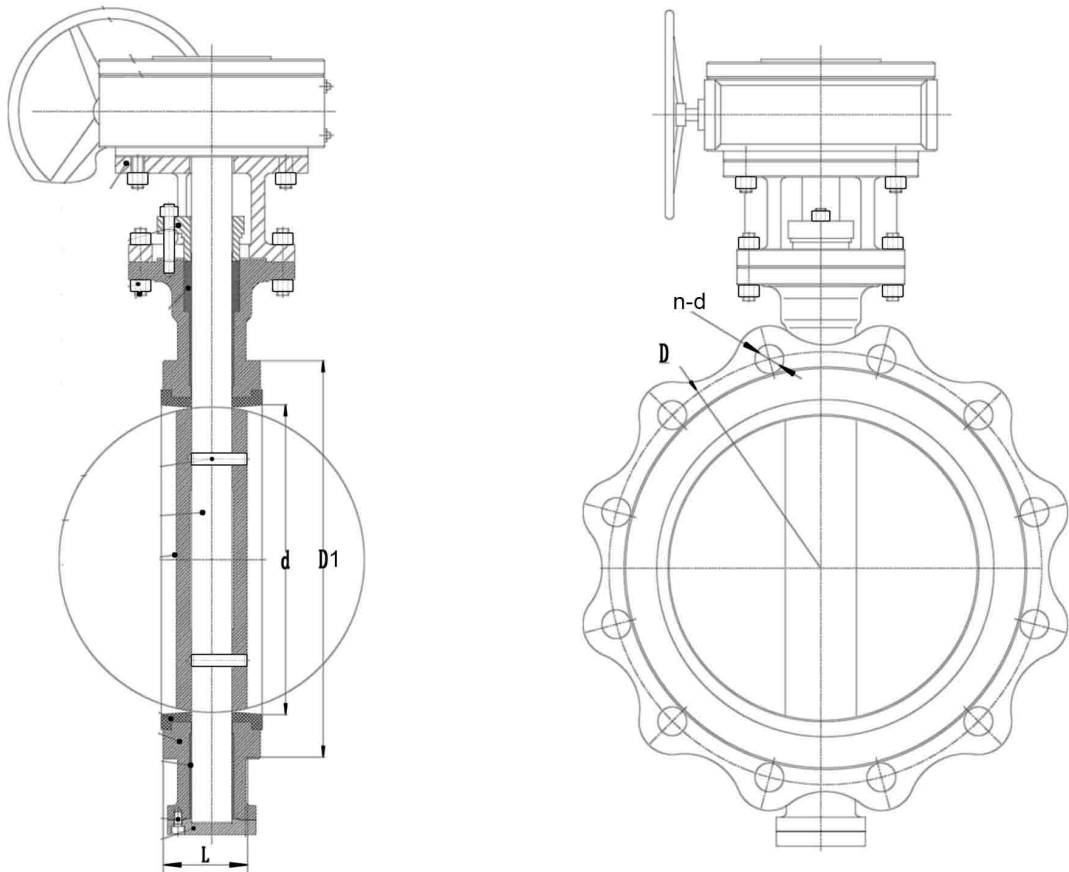
### Dimension in mm

SIZE	DN	L	ØD1	ØD	n-Ød
2"	50	42.0	105	52.9	4-Ø12
2.1/2"	65	44.7	130	64.5	4-Ø12
3"	80	45.2	145	78.8	4-Ø16
4"	100	52.1	165	104.0	8-Ø16
5"	125	54.4	200	123.3	8-Ø16
6"	150	55.8	230	155.6	8-Ø16
8"	200	60.6	280	205.5	8-Ø20

The contents of this literature are for informative purposes only. Arita is not responsible for suitability or compatibility of these products in relation to system requirement. For specific requirements, consult Arita or its distributors. Arita reserves the right to change or modify product design without prior notice.

## LUG TYPE BUTTERFLY VALVE FLANGED END JIS 5K

Model : ARV-212LT(J)



### Material

Nominal Pressure		JIS 5K
Test Pressure	Shell Test Pressure	2.4 Mpa
	Air Seal Test	1.75 Mpa
Suitable Temperature		-20 ~ 80 °C
Suitable Medium		Water, Oil, Gas

No	PART	MATERIAL
1	BODY	WCB
2	DISC	CF8
3	SEAT	NBR
4	STEM	416

### Dimension in mm

SIZE	DN	L	ØD1	ØD	n-Ød
10"	250	65.6	345	317	12-Ø22
12"	300	76.9	390	360	12-Ø22