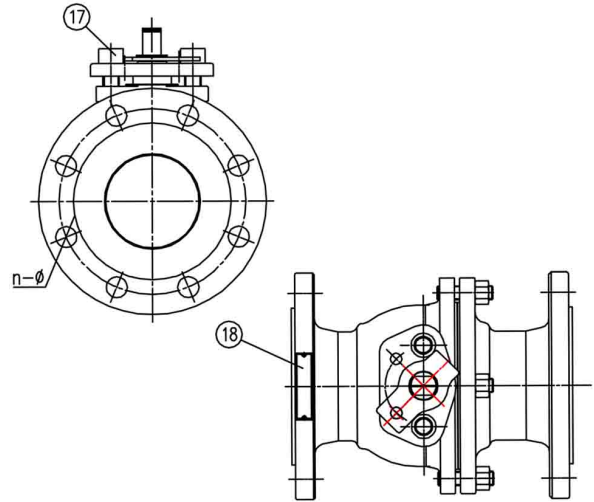
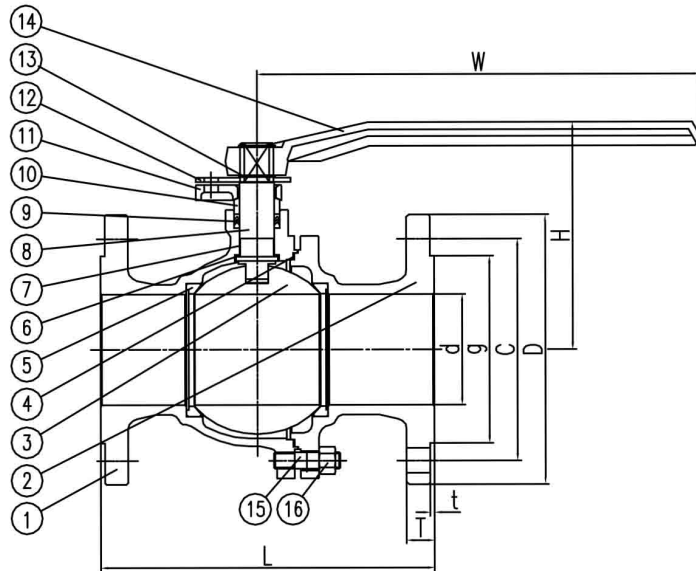


BALL VALVE FLANGED END ANSI 300

Model : ARV-200FE(A)



Features :

Design according to ANSI B16.34
 Face to Face : ASME B16.10
 End Flange according to ASME B16.5
 Inspection & Testing : API 598

Nominal Pressure		300 LB
Test Pressure	Shell Test Pressure	7.8 Mpa
	Air Seal Test	0.5 ~ 0.7 Mpa
Suitable Temperature		-29 ~ 180 °C
Suitable Medium		Water, Gas, Oil

Material

No	PART	MATERIAL
1	BODY	A216-WCB
2	BONNET	A216-WCB
3	BALL	A276-304
4	GASKET	PTFE
5	BALL SEATS	RPTFE
6	THRUST WASHER	PTFE
7	STEM BUSHING	PTFE
8	STEM	2Cr13
9	PACKING	PTFE
10	GLAND	A276-304
11	GLAND FLANGE	A216-WCB
12	LOCK PLATE	A276-304
13	RETAINING RING	65Mn
14	HANDLE	QT400-15
15	BONNET BOLT	A193-B7
16	NUT	A194-2H
17	HEX. BOLT	A193-B7
18	NAMEPLATE	A276-304

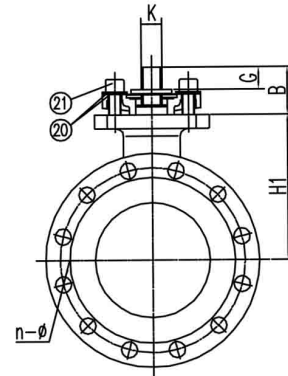
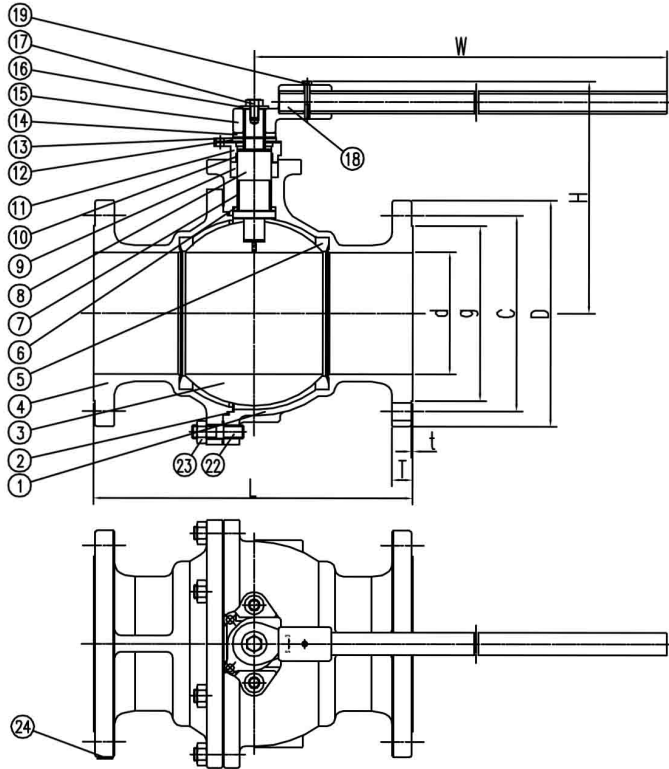
Dimension in mm

SIZE	d	L	D	C	g	T	t	n-Ø	H	W
1.1/2"	40	190	155	114.3	73	21	2	4-Ø22	132.5	200
2"	50	216	165	127	92	23	2	8-Ø19	139	200
2.1/2"	65	241	190	150	105	23	2	8-Ø22	165	240
3"	80	283	210	168.3	127	29	2	8-Ø22	171.5	320
4"	100	305	255	200	157	32	2	8-Ø22	204	450

The contents of this literature are for informative purposes only. Arita is not responsible for suitability or compatibility of these products in relation to system requirement. For specific requirements, consult Arita or its distributors. Arita reserves the right to change or modify product design without prior notice.

BALL VALVE FLANGED END ANSI 300

Model : ARV-200FE(A)



Features :

Design according to ANSI B16.34
 Face to Face : ASME B16.10
 End Flange according to ASME B16.5
 Inspection & Testing :API 598

Nominal Pressure		300 LB
Test Pressure	Shell Test Pressure	7.8 Mpa
	Air Seal Test	0.5 ~ 0.7 Mpa
Suitable Temperature		-29 ~ 180 °C
Suitable Medium		Water, Gas, Oil

Dimension in mm

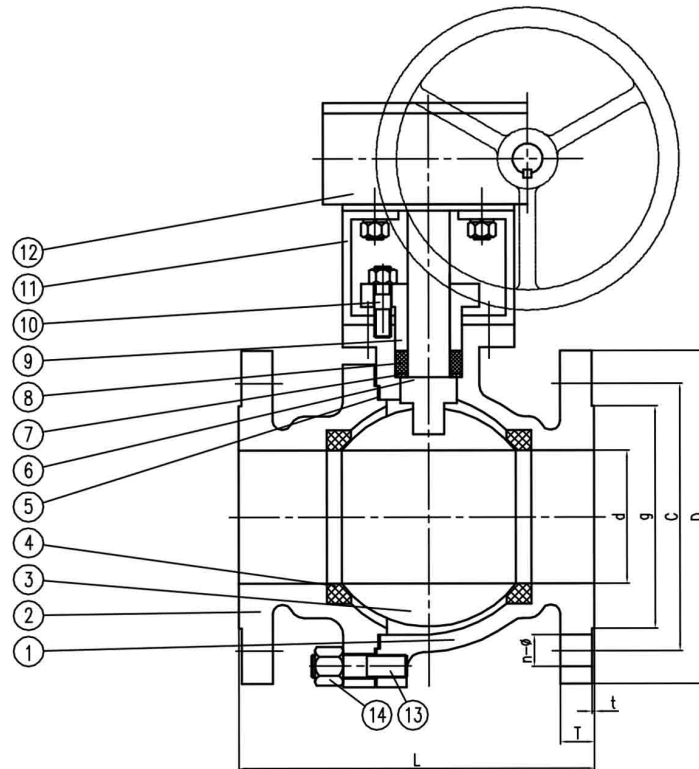
SIZE	d	L	D	C	g	T	t	n-Ø	B	G	K	H	H1	W
5"	125	381	280	235	186	35.4	2	8-22	62.2	29	□27	277	180	830
6"	150	403	320	269.9	216	37	2	12-22	61.7	29	□27	287	190	830

Material

No	PART	MATERIAL
1	BODY	A216-WCB
2	GASKET	PTFE
3	BALL	A276-304
4	BONNET	A216-WCB
5	BALL SEATS	RPTFE
6	THRUST SEAL	PTFE
7	STEM BUSHING	PTFE
8	STEM	A276-304
9	BALL SEATS	A105+RPTFE
10	BUSHING	PTFE
11	GLAND FLANGE	A216-WCB
12	LOCK PLATE	A276-304
13	RETAINING RING	65Mn
14	WASHER	A276-304
15	HANDLE	STEEL
16	WASHER	A276-304
17	STEM BOLT	A193-B7
18	HANDLE COVER	A216-WCB
19	HANDLE BOLT	A193-B7
20	GASKET	A276-301
21	BOLT	A193-B7
22	BONNET BOLT	A193-B7
23	NUT	A194-2H
24	NAMEPLATE	A276-304

BALL VALVE FLANGED END ANSI 300

Model : ARV-200FE(A)



Features :

Design according to ANSI B16.34
 Face to Face : ASME B16.10
 End Flange according to ASME B16.5
 Inspection & Testing :API 598

Nominal Pressure		300 LB
Test Pressure	Shell Test Pressure	7.8 Mpa
	Air Seal Test	0.5 ~ 0.7 Mpa
Suitable Temperature		-29 ~ 180 °C
Suitable Medium		Water, Gas, Oil

Material

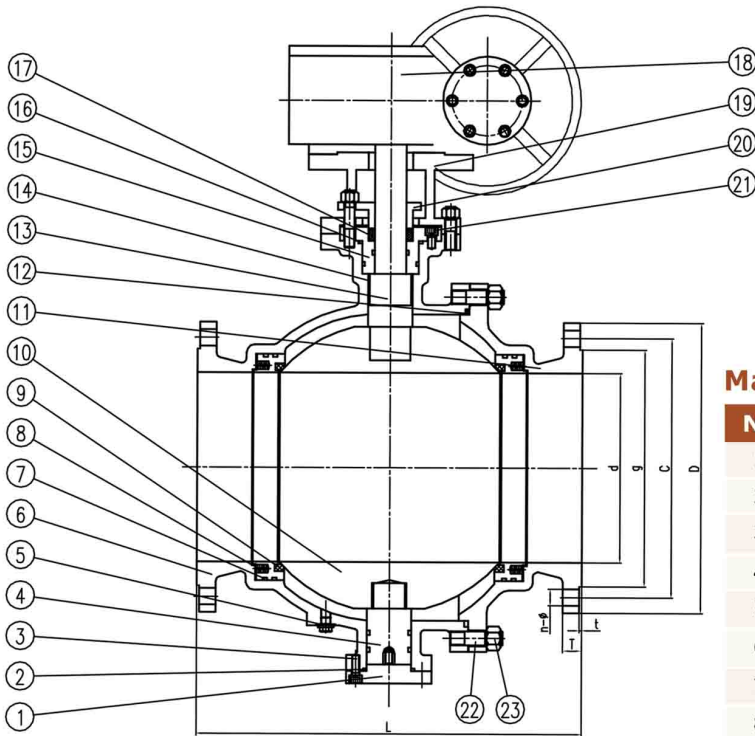
No	PART	MATERIAL
1	BODY	A216-WCB
2	BONNET	A216-WCB
3	BALL	A276-304
4	BALL SEATS	RPTFE
5	GASKET	PTFE
6	STEM	2Cr13
7	PACKING SEAT	A3
8	PACKING	PTFE
9	GLAND FLANGE	A216-WCB
10	BOLT	A193-B7
11	YOKE	A216-WCB
12	WORMGEAR ACTUATOR	C.S.
13	BONNET BOLT	A193-B7
14	NUT	A194-2H

Dimension in mm

SIZE	d	L	D	C	g	T	t	n-Ø
8"	203	502	380	330.2	270	41.7	2	12-Ø25

BALL VALVE FLANGED END ANSI 300

Model : ARV-200FE(A)



Material

No	PART	MATERIAL
1	COVER	A105
2	O-RING	NBR
3	HEX.BOLT	A193-B7
4	LOWER STEM	A276-304
5	PLUG SCREW	45
6	BODY	A216-WCB
7	O-RING	NBR
8	SPRING	60Si2Mn
9	BALL SEATS	A105+RPTFE
10	BALL	A276-304
11	BONNET	A216-WCB
12	GASKET	PTFE
13	UPPER STEM	2Cr13
14	STEM BUSHING	A3+PTFE
15	STUFFING BOX	A105
16	O-RING	NBR
17	PACKING	PTFE
18	WORMGEAR ACTUATOR	C.S.
19	YOKE	A216-WCB
20	GLAND FLANGE	A216-WCB
21	HEX.BOLT	A193-B7
22	BONNET BOLT	A193-B7
23	NUT	A194-2H

Features :

Design according to ANSI B16.34

Face to Face : ASME B16.10

End Flange according to ASME B16.5

Inspection & Testing : API 598

Nominal Pressure		300 LB
Test Pressure	Shell Test Pressure	7.8 Mpa
	Air Seal Test	0.5 ~ 0.7 Mpa
Suitable Temperature		-29 ~ 180 °C
Suitable Medium		Water, Gas, Oil

Dimension in mm

SIZE	d	L	D	C	g	T	t	n-Ø
10"	250	568	445	387.4	324	48.1	2	16-Ø29
12"	300	648	520	450.8	381	51.3	2	16-Ø32