



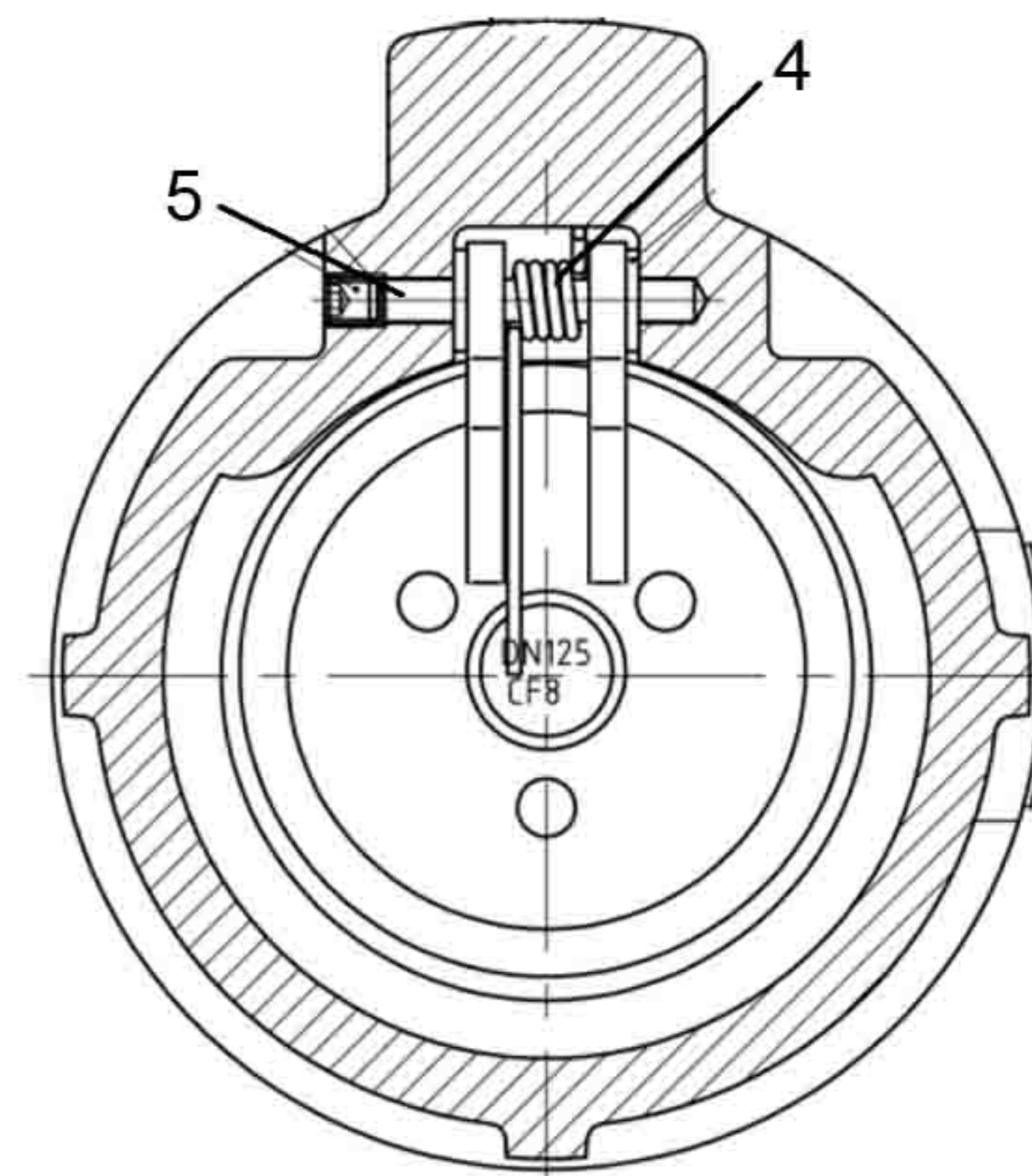
UNIMECH GROUP, MALAYSIA



A MEMBER OF UNIMECH GROUP, MALAYSIA

SINGLE DOOR WAFER SWING CHECK VALVE PN16

Model : ARV-803WT(U)



Features :

Working Pressure : 1.6 Mpa

Sealing Pressure Test : 1.76 Mpa

Body Pressure Test : 2.4 Mpa

Flange Connection : ANSI B16 125 / 150

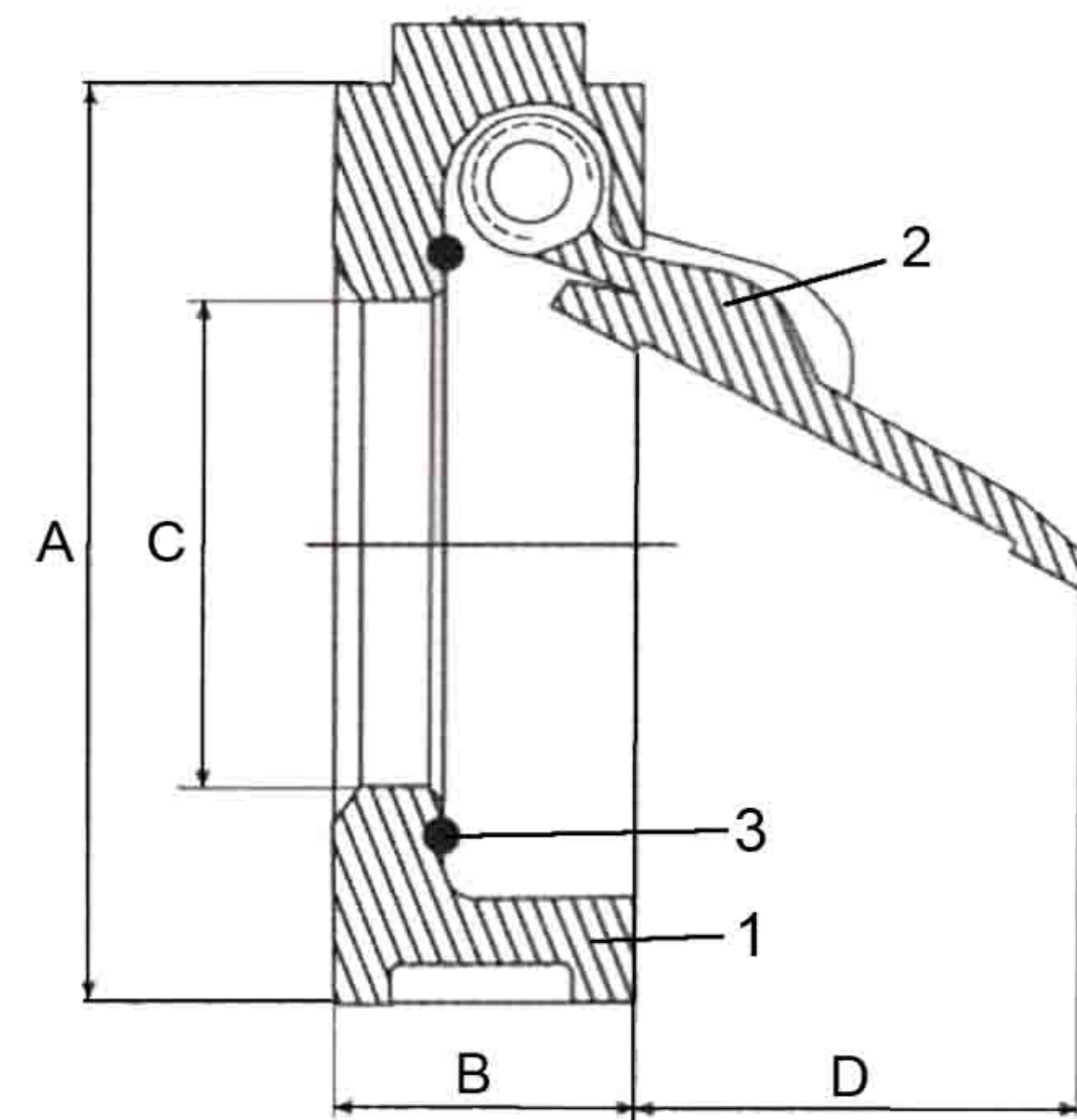
BS TO & E

BS4504 PN10 / PN16

JIS 10K

Medium : Fresh water, Sea water, Waste water, Food stuff,
Steam, All kinds of Oil, Alkaline liquid etc.

Working Temperature : -10 ~ 80 °C



Dimension in mm

SIZES	A	B	C	D
50	96	44.5	33.3	28.6
65	109	47.6	42.9	30.2
80	128	50.8	52.4	55.6
100	160	57.2	76.2	74.6
125	191	63.5	95.3	95.3
150	212.6	69.9	120.7	114.3
200	270	73	163.5	155.6
250	333	79.4	193.7	187.3
300	380.8	85.7	241.3	222.3

Technical Data

Material

No	PART	MATERIAL
1	BODY	CAST IRON HT20-40
2	CLAPPER PLATE / DISC	304
3	SEAL RING	NBR
4	SPRING	STAINLESS STEEL 1Cr18Ni9Ti
5	AXLE	STAINLESS STEEL 2Cr13

The contents of this literature are for informative purposes only. Arita is not responsible for suitability or compatibility of these products in relation to system requirement. For specific requirements, consult Arita or its distributors. Arita reserves the right to change or modify product design without prior notice.