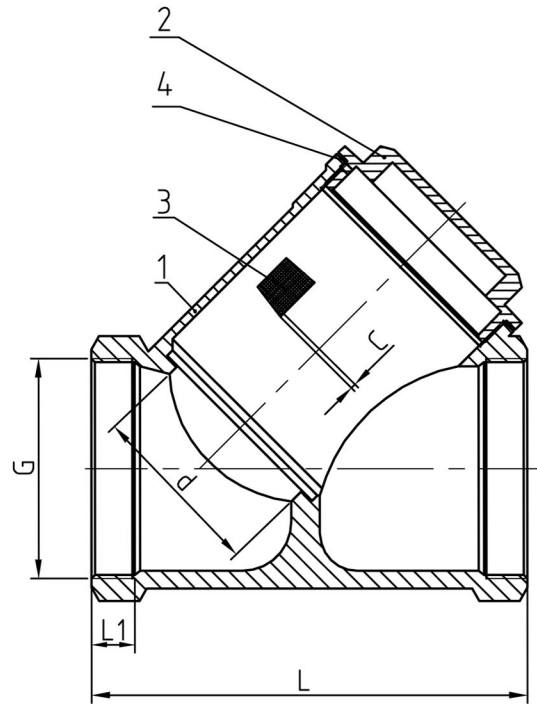


BRASS Y-STRAINER SCREWED END BSPT



Specification :

Nominal Pressure : 125LB
 Shell Test Pressure : 2.4 Mpa
 Seal Test Pressure : 0.6 Mpa
 Applicable Temperature : -20 ~120 °C
 Applicable Media : Water, Oil, Gas

Technical Data

Material

No.	PART	MATERIAL
1	BODY	BRASS
2	BONNET	BRASS
3	SCREEN	SS 304
4	PACKING GLAND	Polysalfone

Dimension in mm

SIZES		L	L1	d	c	G
DN	in.					
10	3/8"	50	10.5	10	diamond (2x1.4)/Ø13xØ12x24	3/8"
15	1/2"	55	12.5	15	diamond (2x1.4)/Ø18xØ17x27.5	1/2"
20	3/4"	69	14	20	diamond (2x1.4)/Ø23.5xØ22.5x38	3/4"
25	1"	80	15	25	diamond (3x1.5)/Ø29xØ27.8x45	1"
32	1.1/4"	90	16	30	diamond (3x1.5)/Ø34xØ32.8x50	1.1/4"
40	1.1/2"	101	16	36	diamond (3x1.5)/Ø40xØ38.8x61	1.1/2"
50	2"	125	18	48	diamond (3x1.5)/Ø52xØ50.5x76	2"
65	2.1/2"	175	23	61	circular (Ø1mm)/Ø72xØ70.2x108	2.1/2"
80	3"	175	18	70	circular (Ø1mm)/Ø80xØ78.2x107	3"
100	4"	206	24	80	circular (Ø1mm)/Ø98xØ96.2x130	4"