

Excellent & Advanced

VP-800 Series

Butterfly Valves 蝶閥

- VP-810
Butterfly Valve (Handle type)
把手式蝶閥
- VP-820
Butterfly Valve (Gear Box)
齒輪式蝶閥
- VP-830
Pneumatic Actuator Butterfly Valve
氣動式蝶閥
- VP-840
Electric Actuator Butterfly Valve
電動式蝶閥



VP-810 把手式蝶閥

Butterfly Valve (Handle type)

- Pressure rating: 2"~8" 150 PSI
@73.4°F(23°C)

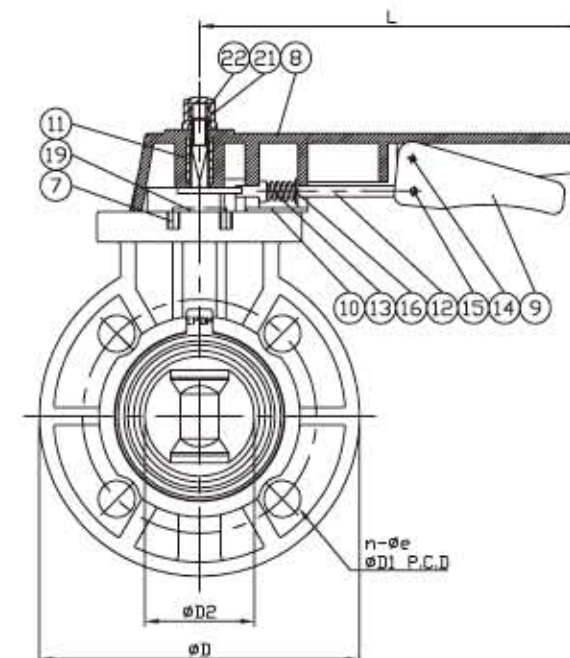
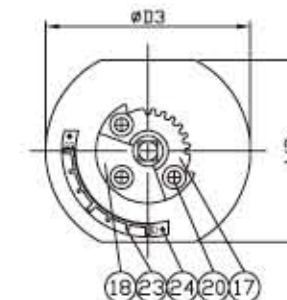
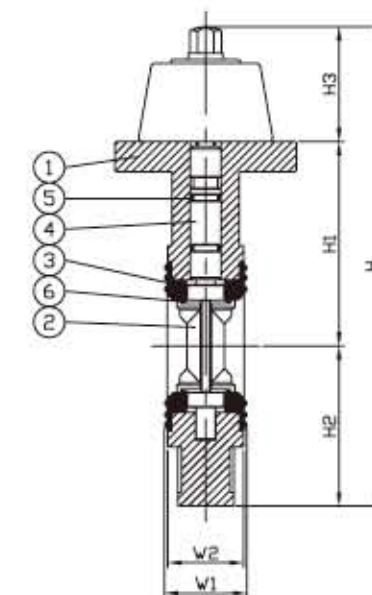
(Standard stem:
SUS 410 + heat process.
Alternative material for stem:
SUS 304/316)

- Compact and light-weight design
- Low flow loss
- The scale on top of the body can clearly indicate the opening angle.
- Ideally suited in a limited piping space
- 工作壓力: 2"~8" 150 PSI
@73.4°F(23°C)
(標準中心柱材質SUS 410 + 熱處理, 亦可選用SUS 304/316 材質)
- 蝶片開啓角度可由刻度清楚顯示, 並可由齒輪片固定
- 全面型墊片密封設計, 安全性佳

Type 品號	Size 尺寸	Standard 規格	Material 材質	Seat 墊座	O-ring O環	Disc 碟片	End type 接口
VP-810	2"~8"	ANSI, JIS, DIN	PVC	EPDM, FPM	EPDM, FPM	PP	Flanged
VP-811	2"~8"	ANSI, JIS, DIN	CPVC	EPDM, FPM	EPDM, FPM	CPVC	Flanged
VP-813	2"~8"	ANSI, JIS, DIN	PVDF	EPDM, FPM	EPDM, FPM	PVDF	Flanged
VP-814	2"~8"	ANSI, JIS, DIN	PP	EPDM, FPM	EPDM, FPM	PP	Flanged

Nom.	SIZE	40mm (1-1/2")	50mm (2")	65mm (2-1/2")	80mm (3")	100mm (4")	125mm (5")	150mm (6")	200mm (8")
JIS	D1	105	120	140	150	175	210	240	290
	n-øe	4-ø19	4-ø19	4-ø19	8-ø19	8-ø19	8-ø23	8-ø23	12-ø23
ANSI	D1	99	121	140	152	191	216	241	299
	n-øe	4-ø16	4-ø19	4-ø19	4-ø19	8-ø19	8-ø23	8-ø23	8-ø23
DIN	D1	110	125	145	160	180	210	240	295
	n-øe	4-ø18	4-ø18	4-ø18	8-ø18	8-ø18	8-ø18	8-ø22	8-ø22
D		148	165.5	185	200	229	257	288	343
D2		49.5	56.5	69.5	79.5	102.5	129.5	149.5	202
D3		99	106	119	124	134.5	164	170	201
L		199	199	199	199	252	297	297	297
H		233	248	267	278.5	318	374	407.5	467
H1		96	106	115	118	138.5	163.5	179	208.5
H2		74	82.75	92.5	100	114.5	128.5	144	171.5
H3		63	59.5	59.5	61	65.5	81.5	84.5	84.5
W1		39	42.5	47	47	57	68	70	85
W2		35.7	39	44	44	54	63	65	79
W3		90	94	94	94	99.5	110	101	122

NO	PART NAME	MATERIAL	Q'TY
1	BODY 本體	UPVC, CPVC, PVDF, PP	1
2	DISC 閘門	UPVC, CPVC, PVDF, PP	1
3	SEAT 墊座	EPDM, FPM	1
4	STEM 中心柱	SUS	1
5	STEM O-RING 中心O環	EPDM, FPM	2
6	DISC O-RING 閘門O環	EPDM, FPM	2
7	INSERT NUT 本體埋銅	C3602	3
8	LARGE HANDLE 大把手	PP	1
9	SMALL HANDLE 小把手	PP	1
10	SPRING LOCK 把手蓋	PP	1
11	HANDLE INSERT 方型鐵	STAINLESS STEEL	1
12	HANDLE LEVER 鏈桿	SUS304	1
13	SPRING 彈簧	SUS304	1
14	SPRING PIN 彈簧銷	SUS304	1
15	SPRING PIN 彈簧銷	SUS304	1
16	WASHER 平華司	SUS304	1
17	LOCKING PLATE 齒輪片	SUS304	1
18	GEAR SEAT 齒輪座	UPVC, PVDF	1
19	STEM WASHER 中心平華司	SUS304	1
20	BOLT 齒輪螺絲	SUS304	3
21	NUT 螺帽	UPVC, PVDF	1
22	INSERT NUT 螺帽埋銅	C3602	1
23	LEVEL 刻度指示牌	SUS304	1
24	RIVET 鑄釘	SUS304	2



VP-820 齒輪式蝶閥 Butterfly Valve (Gear Box)

- Pressure rating : 2"~10" 150 PSI, 12" 100 PSI, 14,16" 86 PSI, 18" 72 PSI, 20"~24" 51 PSI @73.4°F(23°C)

(Standard stem:

SUS 410 + heat process

Alternative material for stem:

SUS 304/316)

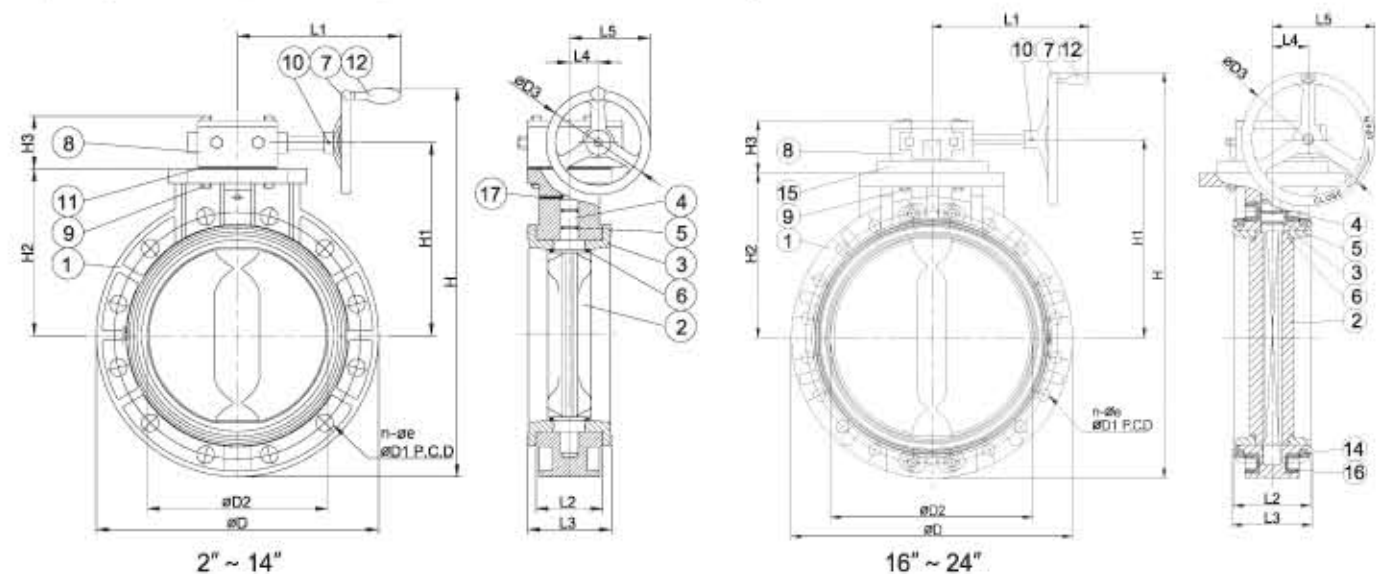
- Lower torque and seal hermetically
- Low flow loss
- The opening angle of the disc could be seen clearly through the arrow on top of the gear box.
- Ideally suited in a limited piping space
- Easy to mount actuator with flat zone design on the top of valve
- 工作壓力 : 2"~10" 150 PSI, 12" 100PSI, 14", 16" 86PSI, 18" 72PSI, 20"~24" 51PSI @73.4°F(23°C)
- (標準中心柱材質SUS 410+熱處理, 亦可選用SUS 304/316)
- 低扭力, 密閉效果佳
- 蝶片開啓角度可由箭頭指標清楚顯示

Type 品號	Size 尺寸	Standard 規格	Material 材質	Seat 墊座	O-ring O環	Disc 碟片	End type 接口
VP-820	2"~24"	ANSI, JIS, DIN	PVC	EPDM, FPM	EPDM, FPM	PP	Flanged
VP-821	2"~24"	ANSI, JIS, DIN	CPVC	EPDM, FPM	EPDM, FPM	CPVC	Flanged
VP-823	2"~24"	ANSI, JIS, DIN	PVDF	EPDM, FPM	EPDM, FPM	PVDF	Flanged
VP-824	2"~24"	ANSI, JIS, DIN	PP	EPDM, FPM	EPDM, FPM	PP	Flanged



SIZE Nom.	50mm (2")	65mm (2-1/2")	80mm (3")	100mm (4")	125mm (5")	150mm (6")	200mm (8")	250mm (10")	300mm (12")	350mm (14")	400mm (16")	450mm (18")	500mm (20")	600mm (24")
JIS	D1 n-e	120 4-e19	140 4-e19	150 8-e19	175 8-e19	210 8-e23	240 8-e23	290 12-e23	355 12-e25	400 16-e25	445 16-e25	510 16-e27	565 20-e27	730 20-e27
ANSI	D1 n-e	121 4-e19	140 4-e19	152 4-e19	191 8-e19	216 8-e23	241 8-e23	299 8-e23	362 12-e25	432 12-e25	476 12-e25	540 16-e29	578 16-e32	750 20-e35
DIN	D1 n-e	125 4-e18	145 4-e18	160 8-e18	180 8-e18	210 8-e18	240 8-e22	295 8-e22	350 12-e22	400 12-e22	460 16-e23	515 16-e26	565 20-e27	725 20-e30
D		185.5	185	200	229	257	288	343	411	490	530	596	630	813
D2		56.5	69.5	79.5	102.5	129.5	149.5	202	255	310	355	397.5	452.5	603
D3		159	159	159	159	159	202	202	202	250	250	300	300	406
H		289	307.5	310	352.5	396.5	464	524	588	709	733	868	910	1166
H1		127	135.5	138	158.5	196.5	221	253.5	283.5	340	342	420	445	556
H2		105	113.5	116	136.5	163.5	177	209.5	239.5	298	300	345	370	480
H3		53	53	53	53	75	77.5	77.5	77.5	78	78	120	120	143
L1		140	140	140	140	140	284.5	284.5	330	330	353	353	390	390
L2		39	44	44	54	63	65	79	104	127	120.5	160	171	201
L3		42.5	47	47	57	68	70	85	109	131.5	127	166	179	210
L4		41.5	41.5	41.5	41.5	41.5	60	60	60	60	60	81	81	120
L5		121	121	121	121	121	161	161	161	185	185	231	231	323

NO	PART NAME	MATERIAL	Q'TY
1	BODY 本體	UPVC, CPVC, PVDF, PP	1
2	DISC 閘門	UPVC, CPVC, PVDF, PP	1
3	SEAT 墊座	EPDM, FPM	1
4	STEM 中心柱	SUS	1
5	STEM O-RING 中心O環	EPDM, FPM	2
6	DISC O-RING 閘門O環	EPDM, FPM	2
7	HAND-WHEEL 把手輪	FC	1
8	GEAR BOX 齒輪箱	FC	1
9	BOLT & WASHER 螺絲組	SUS304	4
10	SPRING PIN 彈簧銷	SUS	1
11	PACKING 墊片	EPDM 6"~14"	1
12	SMALL HANDLE 小把手	STEEL	1
13	KEY 方鍵	SUS	1
14	SEAL 加強環	FC 14"~24"	2
15	METAL PAD 固定座	S45C 16"~24"	1
16	INSERTED NUT 本體埋銷	C3602 16"~24"	4~8
17	PIN 定位銷	SUS	1



VP-830 氣動式蝶閥

Pneumatic Actuator Butterfly Valve

- Pressure rating : 2"~10" 150 PSI, 12"100 PSI, 14", 16" 86 PSI, 18" 72 PSI, 20"~24" 51 PSI @73.4°F(23°C)

(Standard stem: SUS 410 + heat process. Alternative material for stem: SUS 304/316)

- Low flow loss
- The opening angle of the disc could be seen clearly through the position indicator.
- Fast / Efficient operation for automatic control system in a limited piping space
- Pneumatic actuator specification meets with ISO 5211, VDI / VDE 3845, DIN 3337, NAMUR, easy to assemble solenoid valve, limit switches and other accessories.
- For double acting and spring return actuators the maximum supply pressure is 8 Bar(116PSI) minimum supply pressure is 2.5 Bar(36PSI) (Refer to actuator manufacturer's data if necessary)

- 工作壓力 : 2"~10" 150 PSI, 12" 100PSI, 14", 16" 86PSI, 18" 72PSI, 20"~24" 51PSI @73.4°F(23°C)

(標準中心柱材質SUS 410 + 熱處理,亦可選用SUS 304 / 316 材質)

- 蝶片開啓角度可經由位址顯示器取
- 氣動驅動器規格符合ISO 5211, DIN 3337, VDI / VDE 3845, NAMUR可加裝電磁閥、微動開關及其他附屬配件。
- 氣動驅動器建議最大進氣空壓 8 Bar (116PSI), 最小 2.5 Bar (36PSI) (詳細資料可參考氣壓缸製造商資料)

Type 品號	Size 尺寸	Standard 規格	Material 材質	Seat 墊座	O-ring O環	Disc 碟片	End type 接口
VP-830	2"~24"	ANSI, JIS, DIN	PVC	EPDM, FPM	EPDM, FPM	PP	Flanged
VP-831	2"~24"	ANSI, JIS, DIN	CPVC	EPDM, FPM	EPDM, FPM	CPVC	Flanged
VP-833	2"~24"	ANSI, JIS, DIN	PVDF	EPDM, FPM	EPDM, FPM	PVDF	Flanged
VP-834	2"~24"	ANSI, JIS, DIN	PP	EPDM, FPM	EPDM, FPM	PP	Flanged

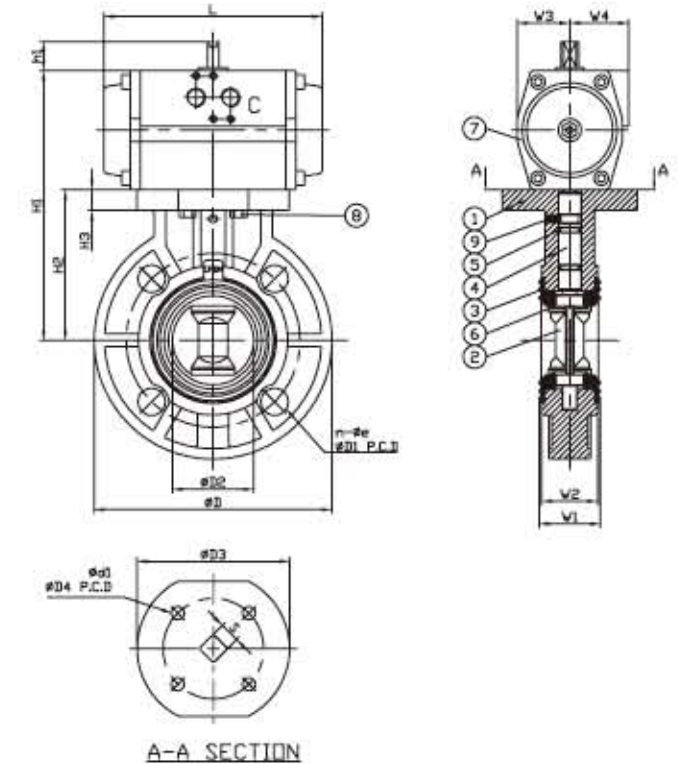


SIZE	50mm (2")	65mm (2-1/2")	80mm (3")	100mm (4")	125mm (5")	150mm (6")	200mm (8")	250mm (10")	300mm (12")	350mm (14")	400mm (16")	450mm (18")	500mm (20")	600mm (24")	
JIS	D1	120	140	150	175	210	240	290	355	400	445	510	565	620	730
	n-ee	4-e19	4-e19	8-e19	8-e19	8-e23	8-e23	12-e23	12-e25	16-e25	16-e27	20-e27	20-e27	24-e33	
ANSI	D1	121	140	152	191	216	241	299	362	432	476	540	578	635	750
	n-ee	4-e19	4-e19	4-e19	8-e19	8-e23	8-e23	8-e23	12-e25	12-e25	12-e29	16-e29	16-e32	20-e32	20-e35
DIN	D1	125	145	160	180	210	240	295	350	400	460	515	565	620	725
	n-ee	4-e18	4-e18	8-e18	8-e18	8-e18	8-e22	8-e22	12-e22	12-e22	16-e23	16-e26	20-e27	20-e27	20-e30
D	165.5	185	200	229	257	288	343	411	490	530	596	630	696	813	
D2	56.5	89.5	79.5	102.5	129.5	149.5	202	255	310	355	397.5	452.5	500	603	
D3	106	119	124	134.5	164	170	201	204	236	236	300	328	328	328	
H2	105	113.5	116	136.5	163.5	177	209.5	239.5	298	300	345	370	410	480	
H3	14.5	14	14	14	14.5	19	23.5	22	24.5	25.5	32	32	34	43	
W1	42.5	47	47	57	68	70	85	109	131.5	127	166	179	189.5	210	
W2	39	44	44	54	63	65	79	104	127	120.5	160	171	180	201	
T: DIN259 BSP	1/4"	1/4"	1/4"	1/4"	1/4"	1/4"	1/4"	1/4"	1/4"	1/4"	1/4"	1/2"	1/2"	1/2"	
DOUBLE ACTING	d1	7	7	9	9	9	11	11	11	13	-	-	-	-	
	D4	50	50	70	70	70	102	102	102	125	-	-	-	-	
	h1	20	20	20	20	20	20	30	30	30	-	-	-	-	
	H1	189.75	198.5	217.75	238.5	278.5	304	366.5	396.5	494	-	-	-	-	
SPRING RETURN	L	158.5	158.5	210.5	210.5	247.5	268.5	345	345	437.5	-	-	-	-	
	S	14	14	17	17	17	22	27	27	27	-	-	-	-	
	W3	36	36	42	42	48	55	66.5	66.5	81	-	-	-	-	
	W4	47	47	52	52	57	67	82	82	99	-	-	-	-	
DOUBLE ACTING	d1	7	7	9	9	11	11	13	13	-	-	-	-	-	
	D4	50	50	70	70	102	102	125	125	-	-	-	-	-	
	h1	20	20	20	20	20	30	30	30	-	-	-	-	-	
	H1	206.75	215.5	230.75	251.5	290.5	334	405.5	435.5	-	-	-	-	-	
SPRING RETURN	L	210.5	210.5	247.5	247.5	268.5	345	437.5	437.5	-	-	-	-	-	
	S	17	17	17	17	22	27	27	27	-	-	-	-	-	
	W3	42	42	48	48	55	66.5	81	81	-	-	-	-	-	
	W4	52	52	57	57	67	82	99	99	-	-	-	-	-	

SIZE	PNEUMATIC ACTUATOR	
	DOUBLE ACTING	SPRING RETURN
2"	AT101UDA	AT201USR
2-1/2"	AT101UDA	AT201USR
3"	AT201UDA	AT251USR
4"	AT201UDA	AT251USR
5"	AT251UDA	AT301USR
6"	AT301UDA	AT401USR
8"	AT351UDA	AT451USR
10"	AT451UDA	AT501USR
12"	AT501UDA	AT551USR
14"	AT551UDA	AT651USR
16"	AT601UDA	AT651USR
18"	AT601UDA	AT701USR
20"	AT651UDA	AT701USR
24"	AT651UDA	AT701USR

- 備註:
1. 上述氣動及電動驅動器(Pneumatic Actuator)搭配型號及圖形僅供參考,可依客戶需求選用。
 2. 相關規格資料歡迎進一步向本公司洽詢。

NO	PART NAME	MATERIAL	QTY
1	BODY 本體	UPVC, CPVC, PVDF, PP	1
2	DISC 碟門	UPVC, CPVC, PVDF, PP	1
3	SEAT 墊座	EPDM, FPM	1
4	STEM 中心柱	SUS	1
5	STEM O-RING 中心O環	EPDM, FPM	2
6	DISC O-RING 碟門O環	EPDM, FPM	2
7	PNEUMATIC ACTUATOR 氣壓缸	EXTRUDED ALUMINUM ALLOY	1
8	BOLT & WASHER 螺絲組	SUS	4
9	PIN 定位銷	SUS	1



VP-840 電動式蝶閥

Electric Actuator Butterfly Valve

- Pressure rating: 2"~10" 150 PSI, 12" 100 PSI, 14", 16" 86 PSI, 18" 72PSI, 20"~24" 51PSI @73.4°F(23°C)

(Standard stem: SUS 410 + heat process. Alternative material for stem: SUS 304/316)

- Low flow loss
- The opening angle of the disc could be seen clearly through the position indicator.
- Fast / Efficient operation for automatic control system in a limited piping space
- Electric actuator operation voltage 1-phase 110 / 220 V, 3-phase 220 / 380 / 460 V
- Electric actuator could manually operate w/o clutch and break
- 工作壓力：2"~10" 150 PSI, 12" 100PSI, 14", 16" 86PSI, 18" 72PSI, 20"~24" 51PSI @73.4°F(23°C)

(標準中心柱材質SUS 410 + 熱處理, 亦可選用SUS 304/316 材質)

- 蝶片開啓角度可經由位址顯示器取得
- 操作電壓：AC 單相 110 / 220V 三相 220 / 380 / 460V
- 電動換手動操作時, 不須離合器及煞車即可操作

Type 品號	Size 尺寸	Standard 規格	Material 材質	Seat 墊座	O-ring O環	Disc 碟片	End type 接口
VP-840	2"~24"	ANSI, JIS, DIN	PVC	EPDM, FPM	EPDM, FPM	PP	Flanged
VP-841	2"~24"	ANSI, JIS, DIN	CPVC	EPDM, FPM	EPDM, FPM	CPVC	Flanged
VP-843	2"~24"	ANSI, JIS, DIN	PVDF	EPDM, FPM	EPDM, FPM	PVDF	Flanged
VP-844	2"~24"	ANSI, JIS, DIN	PP	EPDM, FPM	EPDM, FPM	PP	Flanged



Nom.	SIZE	50mm (2")	65mm (2-1/2")	80mm (3")	100mm (4")	125mm (5")	150mm (6")	200mm (8")	250mm (10")	300mm (12")	350mm (14")	400mm (16")	450mm (18")	500mm (20")	600mm (24")
JIS	D1	120	140	150	175	210	240	290	355	400	445	510	565	620	730
	n-øe	4-ø19	4-ø19	8-ø19	8-ø19	8-ø23	8-ø23	12-ø23	12-ø25	16-ø25	16-ø25	16-ø27	20-ø27	20-ø27	24-ø33
ANSI	D1	121	140	152	191	216	241	299	362	432	476	540	578	635	750
	n-øe	4-ø19	4-ø19	4-ø19	8-ø19	8-ø23	8-ø23	8-ø23	12-ø25	12-ø25	12-ø29	16-ø29	16-ø32	20-ø32	20-ø35
DIN	D1	125	145	160	180	210	240	295	350	400	460	515	565	620	725
	n-øe	4-ø18	4-ø18	8-ø18	8-ø18	8-ø18	8-ø22	8-ø22	12-ø22	12-ø22	16-ø23	16-ø26	20-ø27	20-ø27	20-ø30
D		165.5	185	200	229	257	288	343	411	490	530	596	630	696	813
D2		56.5	69.5	79.5	102.5	129.5	149.5	202	255	310	355	397.5	452.5	500	603
H1		105	113.5	116	136.5	163.5	177	209.5	239.5	298	300	345	370	410	480
H2		14.5	14	14	14	14.5	19	23.5	22	24.5	25.5	32	32	34	43
W1		42.5	47	47	57	68	70	85	109	131.5	127	166	179	189.5	210
W2		39	44	44	54	63	65	79	104	127	120.5	160	171	180	201

NO	PART NAME	MATERIAL	QTY
1	BODY 本體	UPVC,CPVC,PVDF,PP	1
2	DISC 閘門	UPVC,CPVC,PVDF,PP	1
3	SEAT 墊座	EPDM,FPM	1
4	STEM 中心柱	SUS	1
5	STEM O-RING 中心O環	EPDM,FPM	2
6	DISC O-RING 閘門O環	EPDM,FPM	2
7	COUPLING 連接頭	SUS	1
8	MOUNTING PAD 固定架	SUS	1
9	ELECTRIC ACTUATOR 電動箱	ALUMINUM ALLOY POWDER COATED	1
10	PIN 定位銷	SUS	1

ELECTRIC ACTUATOR	Single-phase		Three-phase		
	110V	220V	220V	380V	440V
BM2	V	V	V	V	V
OMA	V	V	X	X	X
OM2	V	V	V	V	V
OM3	V	V	V	V	V
OM4	V	V	V	V	V
OM5	V	V	V	V	V
OM6	V	V	V	V	V
OM7	V	V	V	V	V
OM8	V	V	V	V	V

SIZE	ELECTRIC ACTUATOR	
	WITH HANDWHEEL	WITHOUT WITH HANDWHEEL
2"	OM2	OMA
2-1/2"	OM2	OMA
3"	OM2	OMA
4"	OM3	BM2
5"	OM3	-
6"	OM4	-
8"	OM4	-
10"	OM5	-
12"	OM6	-
14"	OM7	-
16"	OM	-

- 備註：
 1. 上述電動驅動器(Electric Actuator)搭配型號及圖形僅供參考，可依客戶需求選用。
 2. 18"以上及相關規格資料歡迎進一步向本公司洽詢。

