



Pneumatic Valve – 4V100 Series

4V100

Low power consumption exhaust for the pilot and main valve, small size, large flow, good appearance, flexible, can be integrated installation, high wear resistant and long life.



Ordering Code

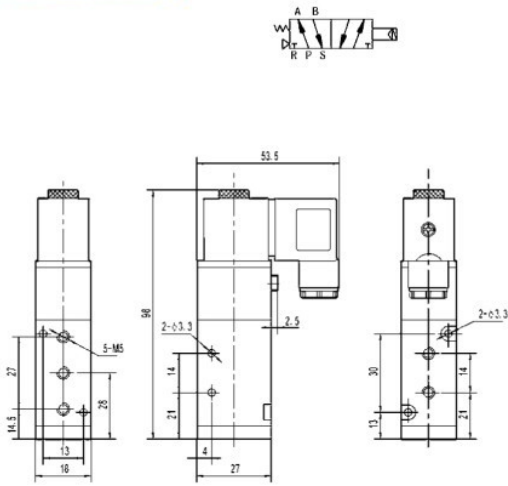
| 4V | 1 | 10 | 06 | B | AC220V | W |
|---|-------------|---|-----------------|---------------------|------------------|--------------------------------|
| Type | Series Code | Coil & Position | Joint Pipe Bore | Connection Type | Standard Voltage | Terminal |
| 4V : 5/2 way or 5/3 way Solenoid Valve | 100 Series | 10 : Single-Coil double position | M5 : M5 x 0.8 | Blank : Thread type | DC12V | Blank : Black Connector |
| 4A : 5/2 way or 5/3 way pneumatic Control Valve | | 20 : Double-coil double position | 06 : 1/8" | B : Namur | DC24V | LD : Brown with LED Connector |
| 3V : 3/2 way Solenoid Valve | | 30C : Double-coil three position center close type | | | AC24V 50Hz/60Hz | LD1 : White with LED Connector |
| 3A : 3/2 way pneumatic Control Valve | | 30E : Double coil three position center exhaust type | | | AC110V 50Hz/60Hz | W : Lead wire type |
| | | 30P : Double-coil three-position center pressure type | | | AC220V 50Hz/60Hz | |
| | | | | | AC380V 50Hz/60Hz | |

Specification

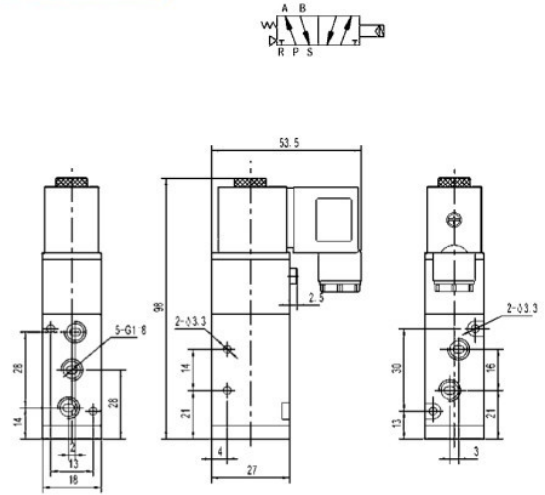
| Model | 4V110-MS | 4V120-M5 | 4V130C-M5 | 4V130E-M5 | 4V130P-M5 | 4V110-06 | 4V120-06 | 4V130C-06 | 4V130E-06 | 4V130P-06 |
|-----------|-----------------------------|----------|----------------------------|-----------|-----------|-----------------------------|----------|----------------------------|-----------|-----------|
| | 4A110-M5 | 4A120-M5 | 4A130C-M5 | 4A130E-M5 | 4A130-M5 | 4A110-06 | 4A120-06 | 4A130C-06 | 4A130E-06 | 4V130P-06 |
| Type | 5/2 | | 5/3 | | | 5/2 | | 5/3 | | |
| Flow Rate | 10mm ² (Cv=0.56) | | 7mm ² (Cv=0.40) | | | 12mm ² (Cv=0.67) | | 9mm ² (Cv=0.50) | | |

| Model | 3V110-M5 | 3V120-M5 | 3A110-M5 | 3A120-M5 | 3V110-06 | 3V120-06 | 3A110-06 | 3A120-06 |
|-----------------------------------|-------------------------------------|----------|----------|----------|----------------------------------|----------|----------|----------|
| Type | 3/2 | | | | 3/2 | | | |
| Flow Rate | 10mm ² (Cv=0.56) | | | | 12mm ² (Cv=0.67) | | | |
| Connection Ports | Inlet = Outlet = Exhaust = M5 x 0.8 | | | | Inlet = Outlet = Exhaust = G1/8" | | | |
| Media | Clean air | | | | | | | |
| Working Type | Pilot | | | | | | | |
| Working Pressure | 0.15 ~ 0.8MPa | | | | | | | |
| Max. Pressure | 1.2MPa | | | | | | | |
| Ambient Temp. | -5 ~ 50°C | | | | | | | |
| Voltage Tolerance | ±10% | | | | | | | |
| Power | AC: 2.5VA DC: 2.5W | | | | | | | |
| Insulation Class Protection Class | F class. IP65 | | | | | | | |
| Terminal | Flying Lead or Din 43650C PIN | | | | | | | |
| Frequency | 5 cycles/s | | | | | | | |
| Response time | 0.05s | | | | | | | |

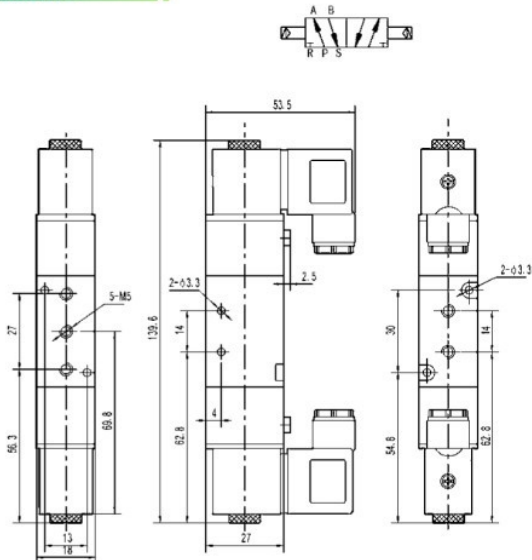
4V110-M5



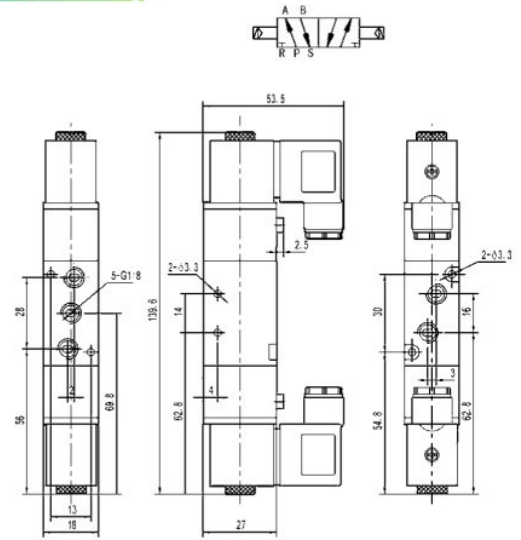
4V110-06



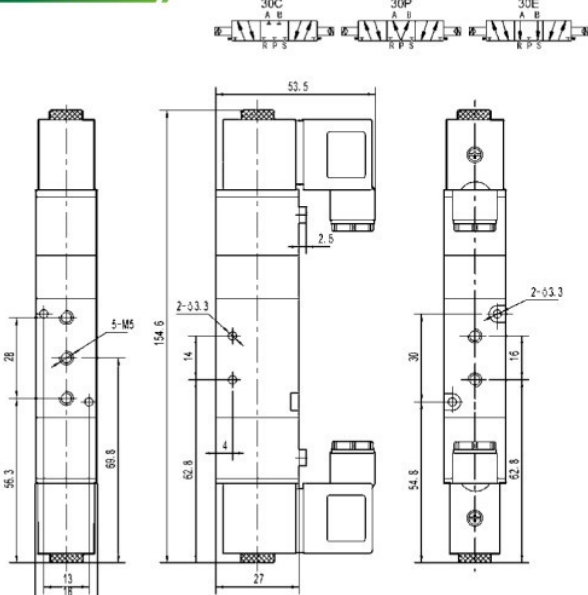
4V120-M5



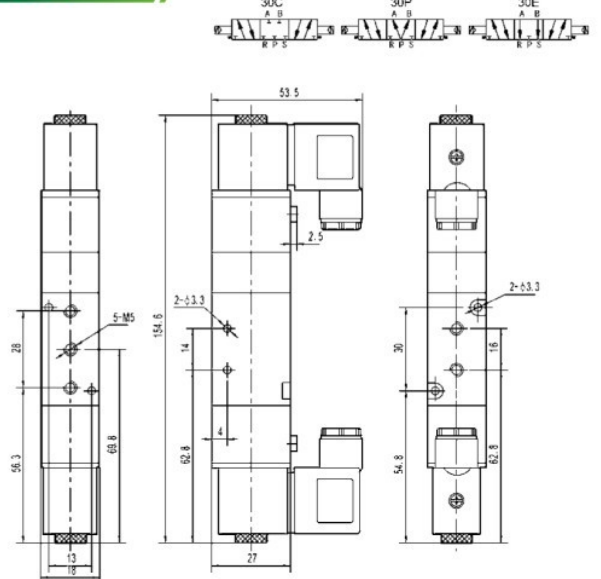
4V120-06



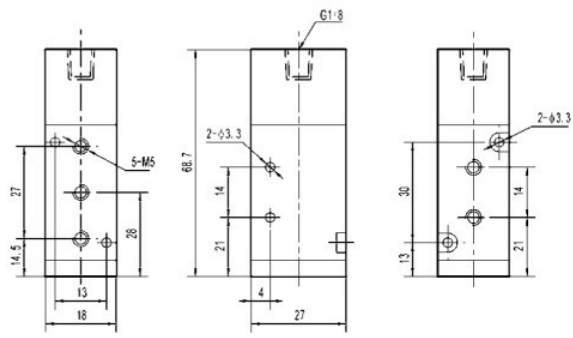
4V130-M5



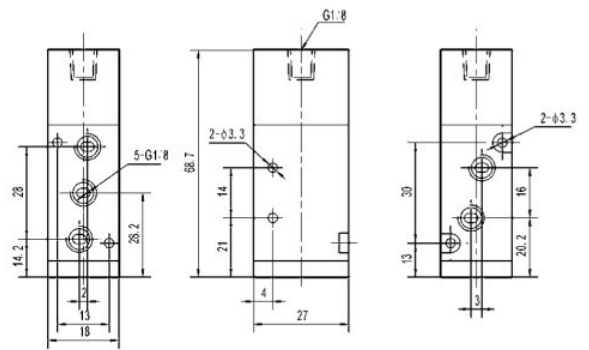
4V130-06



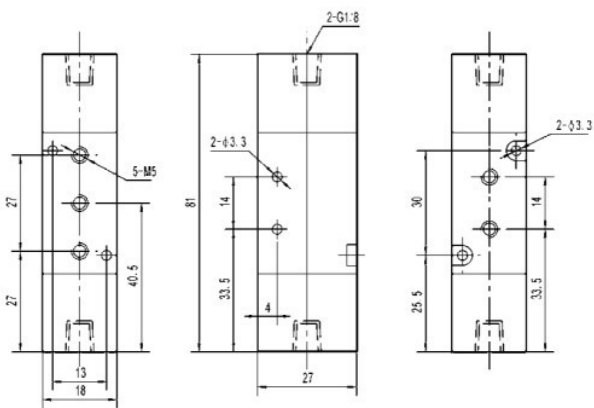
4A110-M5



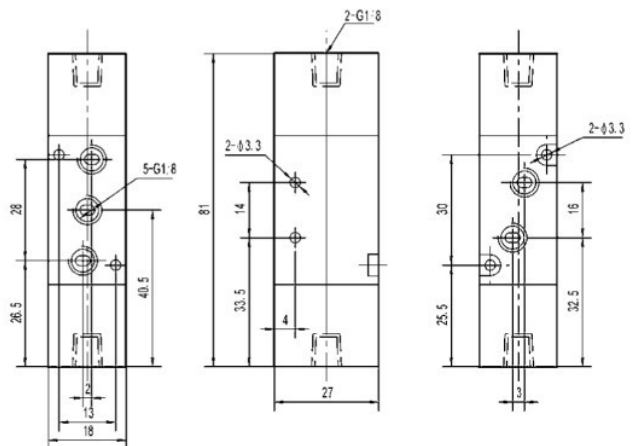
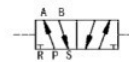
4A110-06



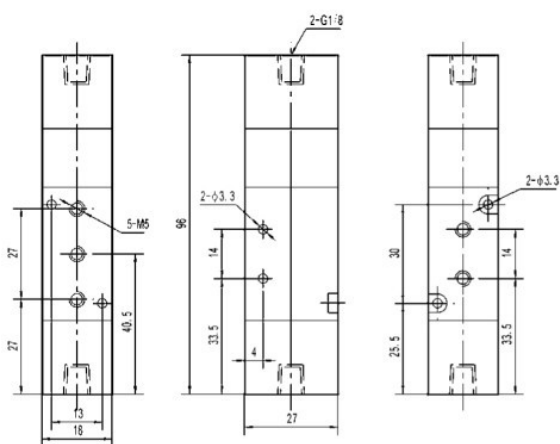
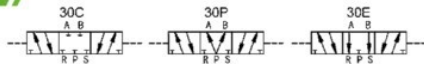
4A120-M5



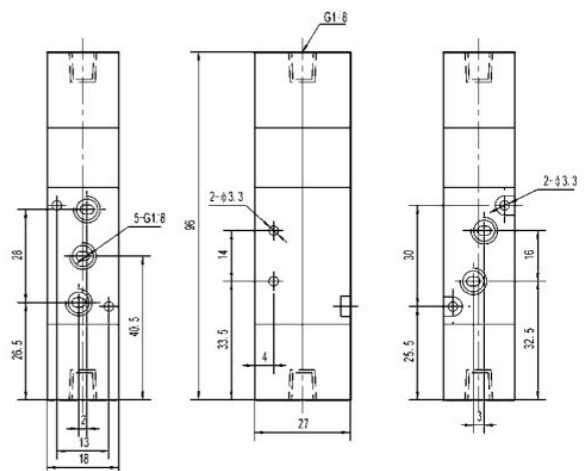
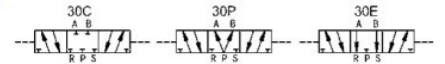
4A120-06



4A130-M5



4A130-06





Pneumatic Valve – 4V200 Series

4V200

Low power consumption exhaust for the pilot and main valve, small size, large flow, good appearance, flexible, can be integrated installation, high wear resistant and long life.



Ordering Code

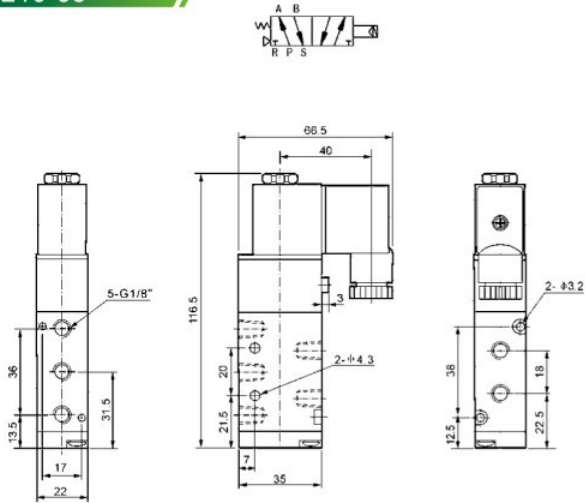
| 4V | 2 | 10 | 06 | B | AC220V | W |
|---|-------------|---|-----------------|---------------------|---------------------|--------------------------------|
| Type | Series Code | Coil & Position | Joint Pipe Bore | Connection Type | Standard Voltage | Terminal |
| 4V : 5/2 way or 5/3 way Solenoid Valve | 200 Series | 10 : Single-Coil double position | 06 : 1/8" | Blank : Thread type | DC12V | Blank : Black Connector |
| 4A : 5/2 way or 5/3 way pneumatic Control Valve | | 20 : Double-coil double position | 08 : 1/4" | B : Namur | DC24V | LD : Brown with LED Connector |
| 3V : 3/2 way Solenoid Valve | | 30C : Double-coil three position center close type | | | AC24V 50Hz/60Hz | LD1 : White with LED Connector |
| 3A : 3/2 way pneumatic Control Valve | | 30E : Double coil three position center exhaust type | | | AC110V 50Hz/60Hz | W : Lead wire type |
| | | 30P : Double-coil three-position center pressure type | | | AC220V 50Hz/60Hz | |
| | | | | | AC380V 50Hz/60Hz | |

Specification

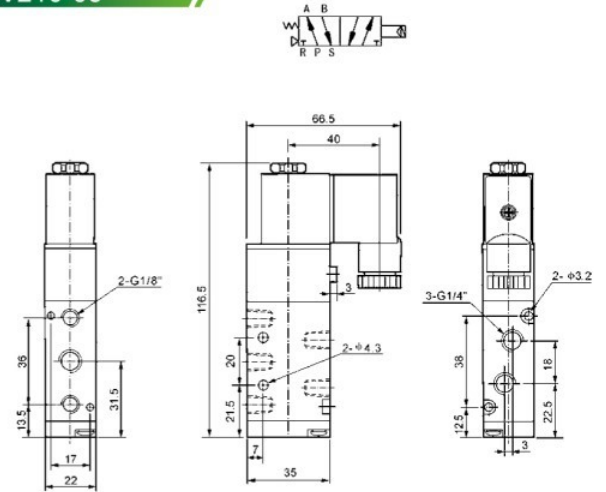
| Model | 4V210-06 | 4V220-06 | 4V230C-06 | 4V230E-06 | 4V230P-06 | 4V210-08 | 4V220-08 | 4V230C-08 | 4V230E-08 | 4V230P-08 |
|-----------|-----------------------------|----------|-----------------------------|-----------|-----------|-----------------------------|----------|-----------------------------|-----------|-----------|
| | 4A210-06 | 4A220-06 | 4A230C-06 | 4A230E-06 | 4A230P-06 | 4A210-08 | 4A220-08 | 4A230C-08 | 4A230E-08 | 4A230P-08 |
| Type | 5/2 | | 5/3 | | | 5/2 | | 5/3 | | |
| Flow Rate | 14mm ² (Cv=0.78) | | 12mm ² (Cv=0.67) | | | 16mm ² (Cv=0.89) | | 12mm ² (Cv=0.67) | | |

| Model | 3V210-06 | 3V220-06 | 3A210-06 | 3A220-06 | 3V210-08 | 3V220-08 | 3A210-08 | 3A220-08 |
|--------------------------------------|----------------------------------|----------|----------|----------|----------------------------------|----------|----------|----------|
| Type | 3/2 | | | | 3/2 | | | |
| Flow Rate | 14mm ² (Cv=0.78) | | | | 16mm ² (Cv=0.89) | | | |
| Connection Ports | Inlet = Outlet = Exhaust = G1/8" | | | | Inlet = Outlet = Exhaust = G1/8" | | | |
| Media | Clean air | | | | | | | |
| Working Type | Pilot | | | | | | | |
| Working Pressure | 0.15 ~ 0.8MPa | | | | | | | |
| Max. Pressure | 1.2MPa | | | | | | | |
| Ambient Temp. | -5 ~ 50°C | | | | | | | |
| Voltage Tolerance | ±10% | | | | | | | |
| Power | AC: 4.5VA DC: 3W | | | | | | | |
| Insulation Class Protection Class | F class. IP65 | | | | | | | |
| Terminal | Flying Lead or Din 43650B PIN | | | | | | | |
| Frequency | 5 cycles/s | | | | | | | |
| Response time | 0.05s | | | | | | | |

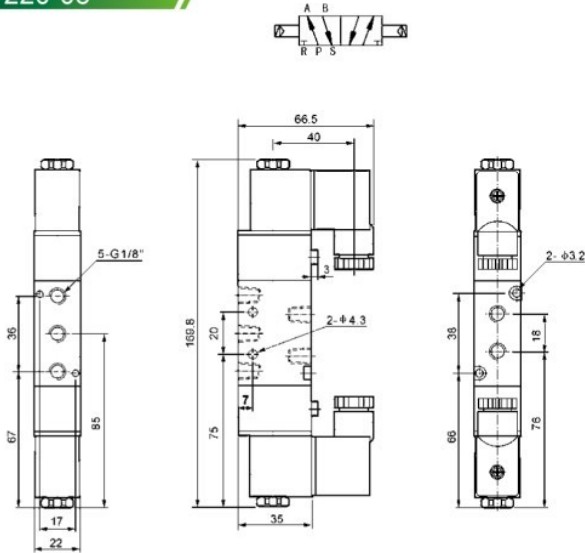
4V210-06



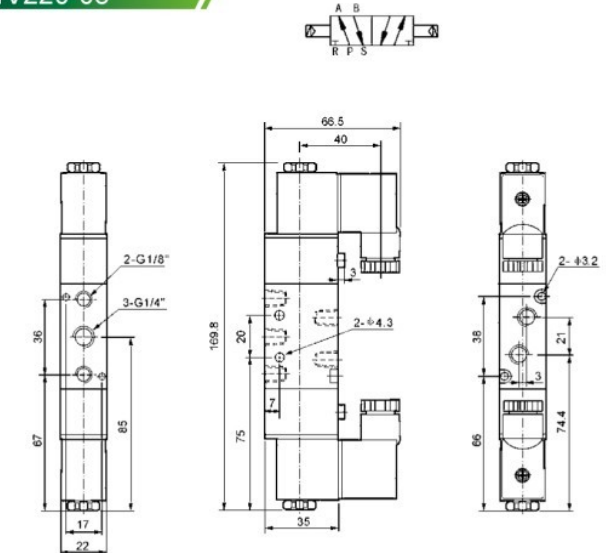
4V210-08



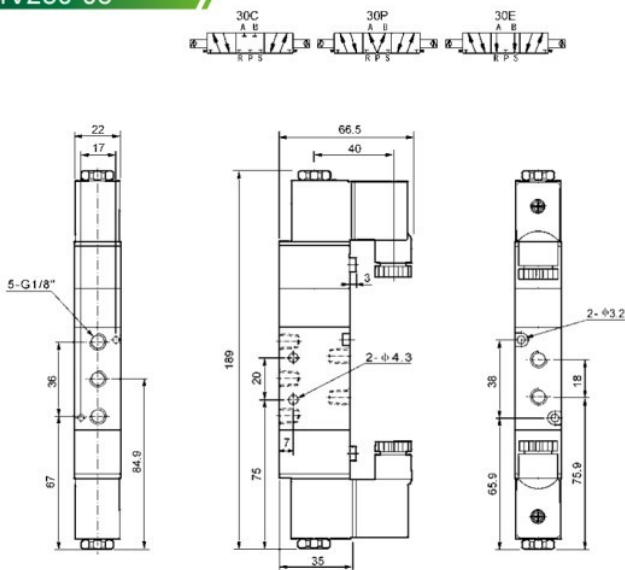
4V220-06



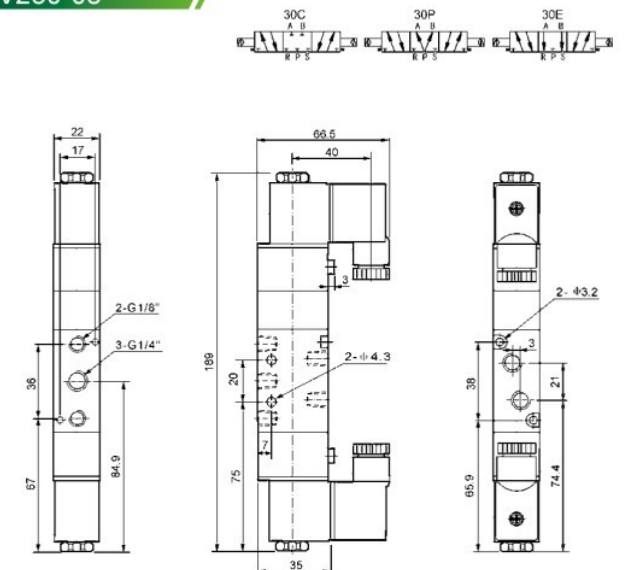
4V220-08



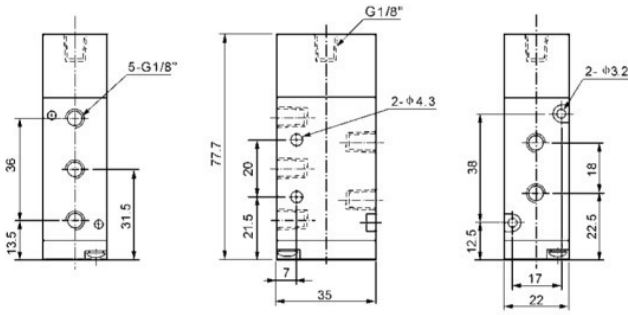
4V230-06



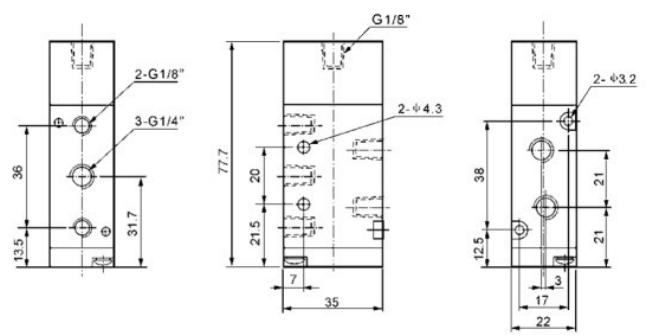
4V230-08



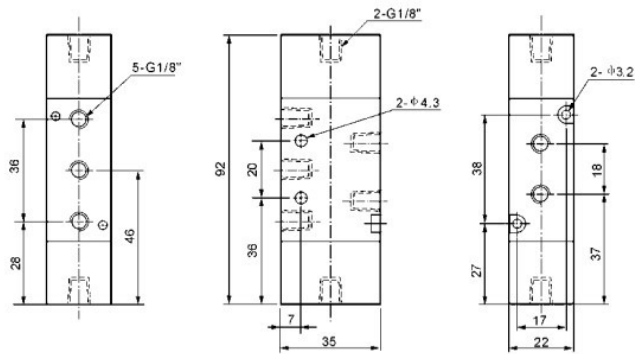
4A210-06



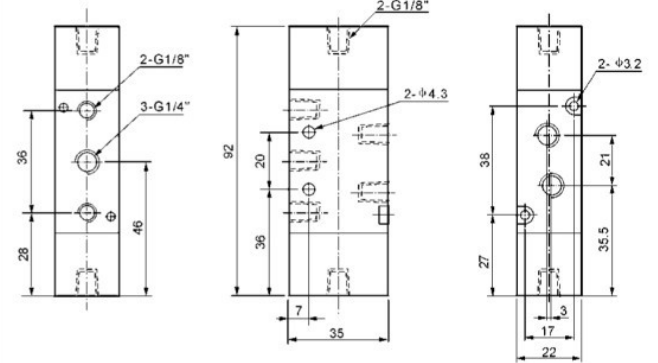
4A210-08



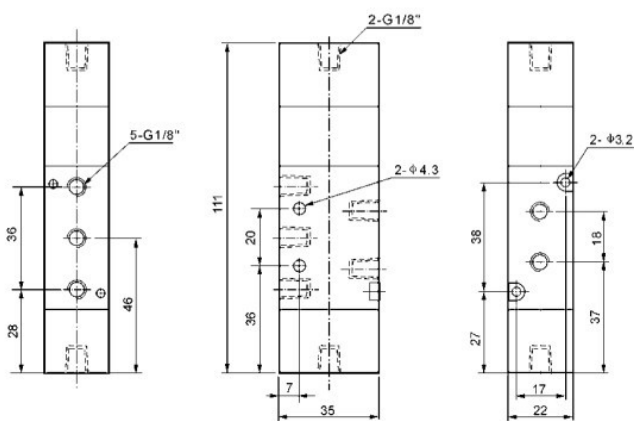
4A220-06



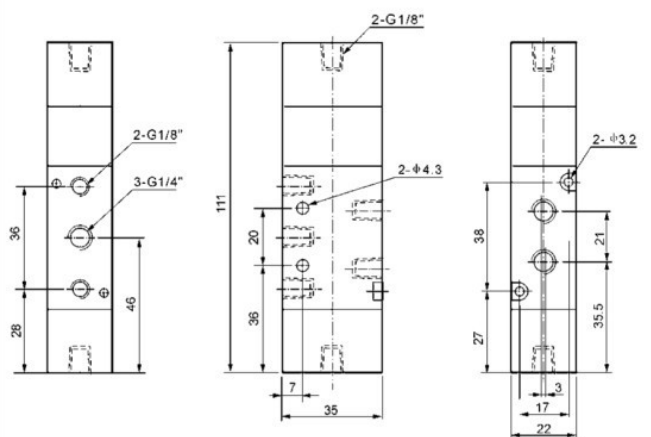
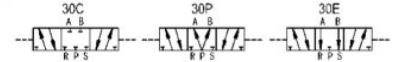
4A220-08



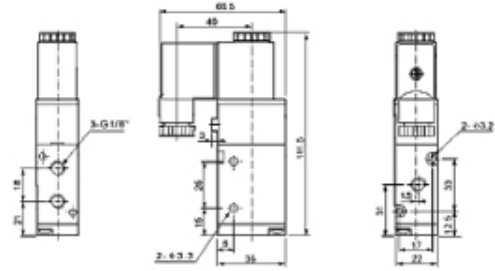
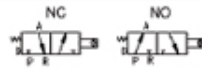
4A230-06



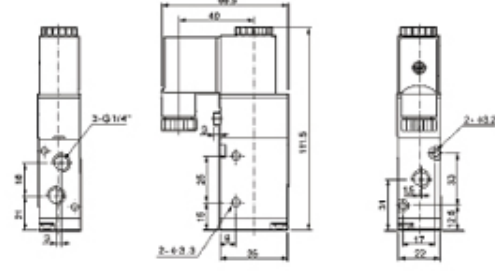
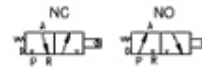
4A230-08



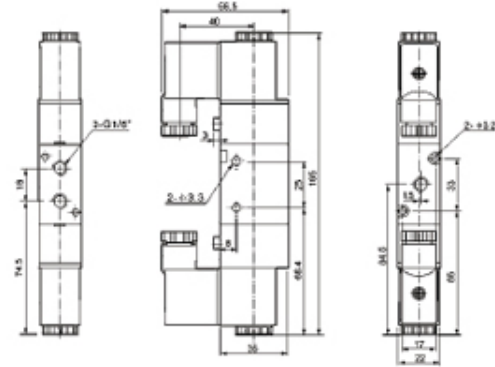
3V210-06



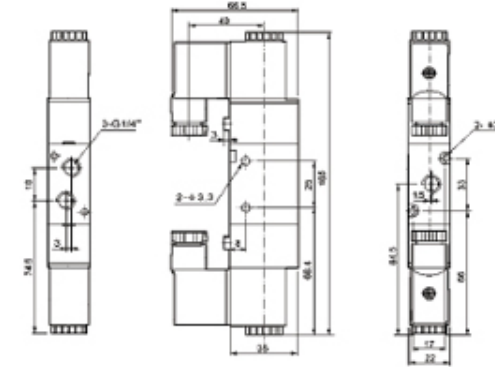
3V210-08



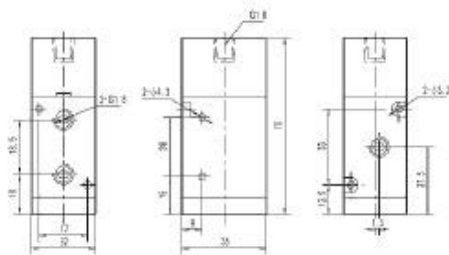
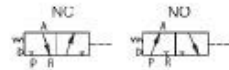
3V220-06



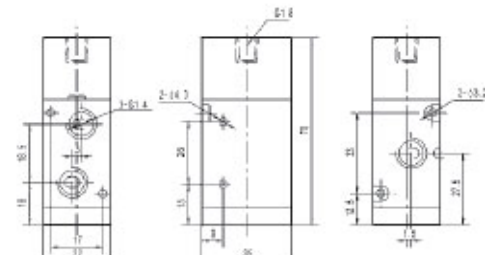
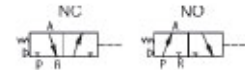
3V220-08



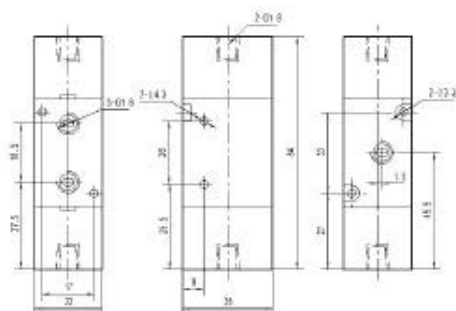
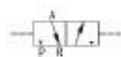
3A210-06



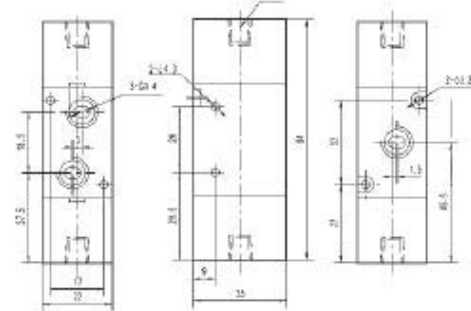
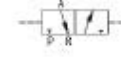
3A210-08



3A220-06



3A220-08



4V300

Low power consumption exhaust for the pilot and main valve, small size, large flow, good appearance, flexible, can be integrated installation, high wear resistant and long life.



Ordering Code

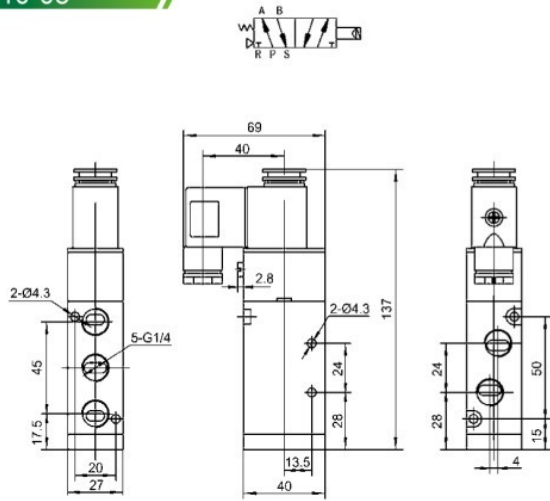
| 4V | 3 | 10 | 08 | B | AC220V | W |
|---|-------------|---|-----------------|---------------------|---------------------|--------------------------------|
| Type | Series Code | Coil & Position | Joint Pipe Bore | Connection Type | Standard Voltage | Terminal |
| 4V : 5/2 way or 5/3 way Solenoid Valve | 300 Series | 10 : Single-Coil double position | 08 : 1/4" | Blank : Thread type | DC12V | Blank : Black Connector |
| 4A : 5/2 way or 5/3 way pneumatic Control Valve | | 20 : Double-coil double position | 10 : 3/8" | B : Namur | DC24V | LD : Brown with LED Connector |
| 3V : 3/2 way Solenoid Valve | | 30C : Double-coil three position center close type | | | AC24V 50Hz/60Hz | LD1 : White with LED Connector |
| 3A : 3/2 way pneumatic Control Valve | | 30E : Double coil three position center exhaust type | | | AC110V 50Hz/60Hz | W : Lead wire type |
| | | 30P : Double-coil three-position center pressure type | | | AC220V 50Hz/60Hz | |
| | | | | | AC380V 50Hz/60Hz | |

Specification

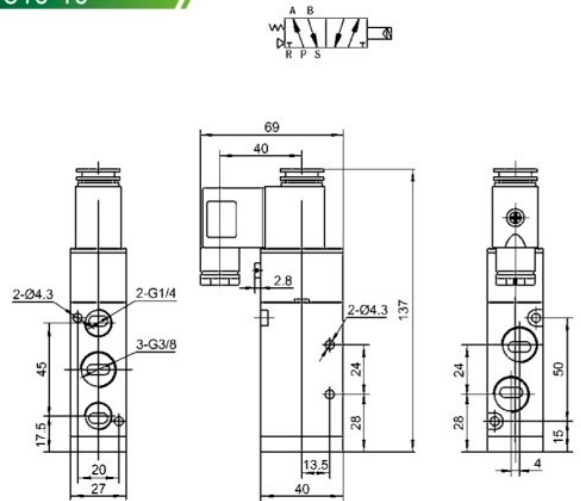
| Model | 4V310-08 | 4V320-08 | 4V330C-08 | 4V330E-08 | 4V330P-08 | 4V310-10 | 4V320-10 | 4V330C-10 | 4V330E-10 | 4V330P-10 |
|-----------|-----------------------------|----------|-----------------------------|-----------|-----------|-----------------------------|----------|----------------------------|-----------|-----------|
| | 4A310-08 | 4A320-08 | 4A330C-08 | 4A330E-08 | 4A330P-08 | 4A310-10 | 4A320-10 | 4A330C-10 | 4A330E-10 | 4A330P-10 |
| Type | 5/2 | | 5/3 | | | 5/2 | | 5/3 | | |
| Flow Rate | 25mm ² (Cv=1.40) | | 18mm ² (Cv=1.00) | | | 30mm ² (Cv=1.68) | | 18mm ² (Cv=1.0) | | |

| Model | 3V310-08 | 3V320-08 | 3A310-08 | 3A320-08 | 3V310-10 | 3C320-10 | 3A310-10 | 3A320-10 |
|--------------------------------------|----------------------------------|----------|----------|----------|--|----------|----------|----------|
| Type | 3/2 | | | | 3/2 | | | |
| Flow Rate | 25mm ² (Cv=1.40) | | | | 30mm ² (Cv=1.68) | | | |
| Connection Ports | Inlet = Outlet = Exhaust = G1/4" | | | | Inlet = Outlet = G3/8 Exhaust = G1/4" | | | |
| Media | Clean air | | | | | | | |
| Working Type | Pilot | | | | | | | |
| Working Pressure | 0.15 ~ 0.8MPa | | | | | | | |
| Max. Pressure | 1.2MPa | | | | | | | |
| Ambient Temp. | -5 ~ 50°C | | | | | | | |
| Voltage Tolerance | ±10% | | | | | | | |
| Power | AC: 4.5VA DC: 3W | | | | | | | |
| Insulation Class Protection Class | F class. IP65 | | | | | | | |
| Terminal | Flying Lead or Din 43650B PIN | | | | | | | |
| Frequency | 5 cycles/s | | | | | | | |
| Response time | 0.05s | | | | | | | |

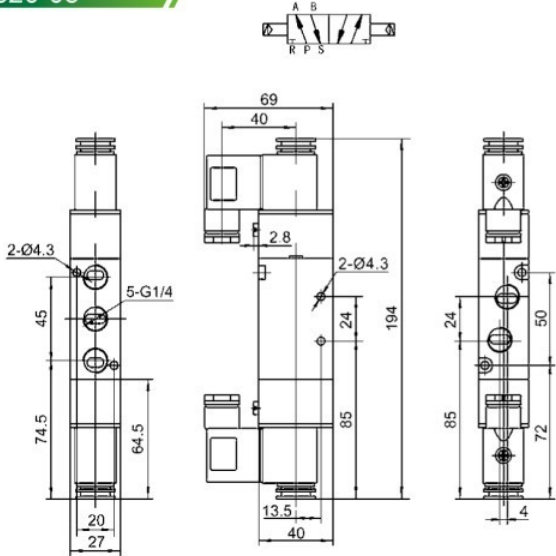
4V310-08



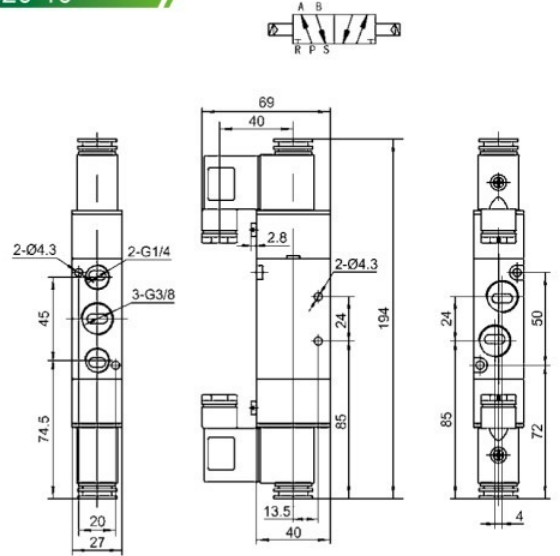
4V310-10



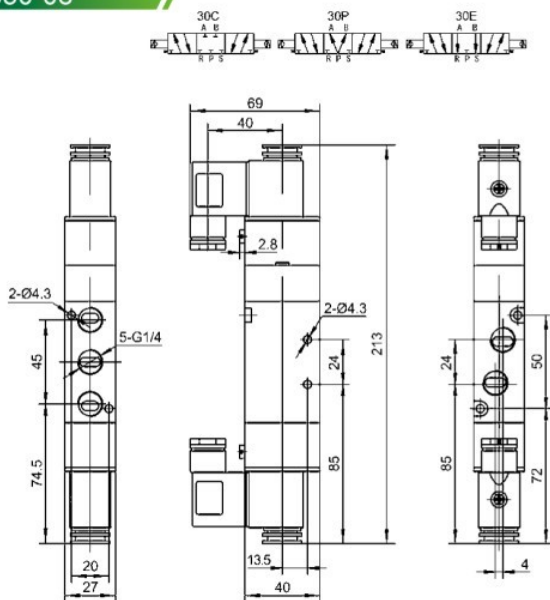
4V320-08



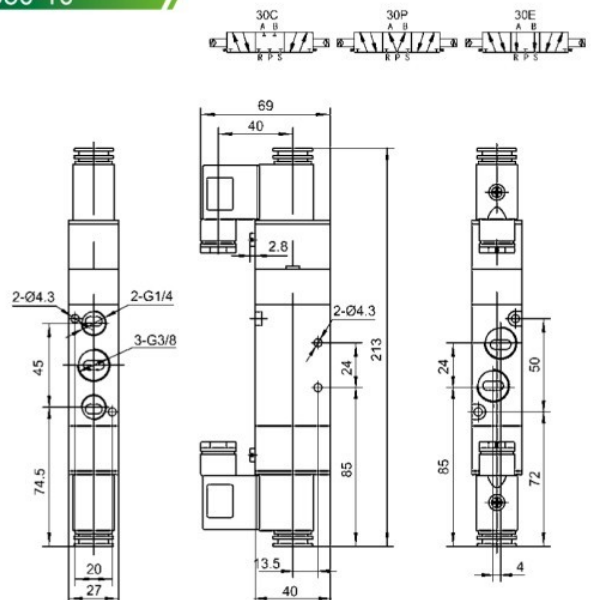
4V320-10



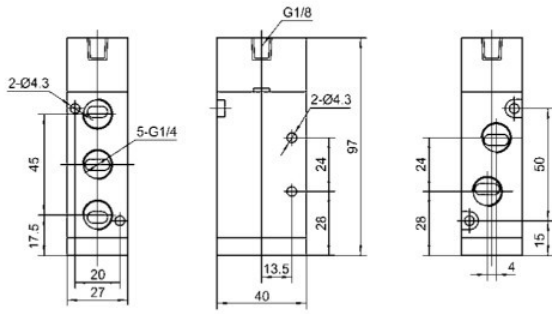
4V330-08



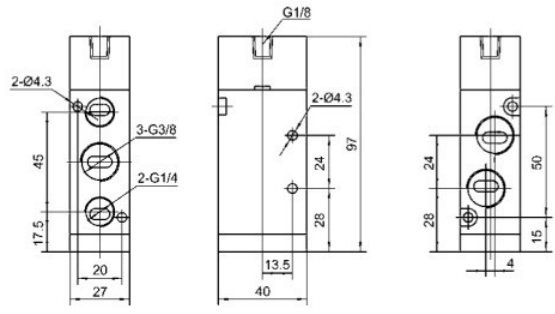
4V330-10



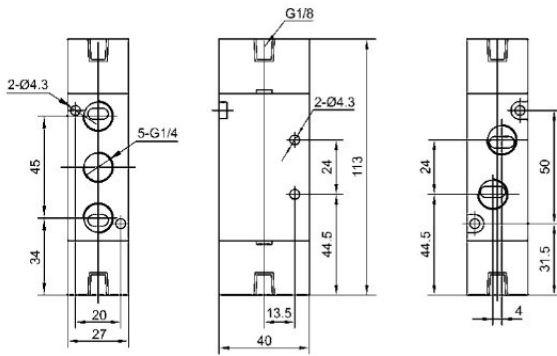
4A310-08



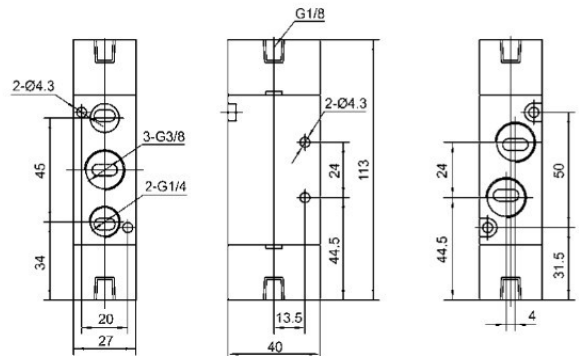
4A310-10



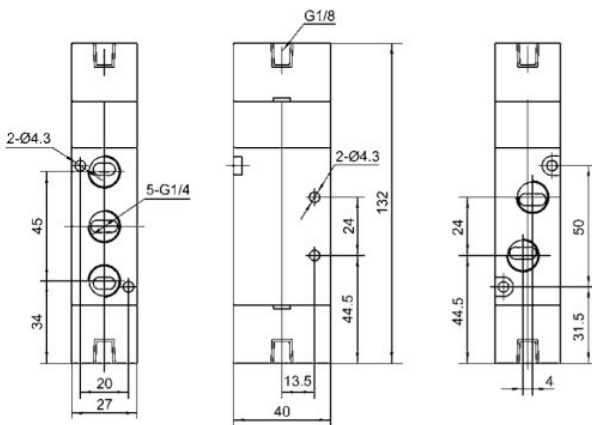
4A320-08



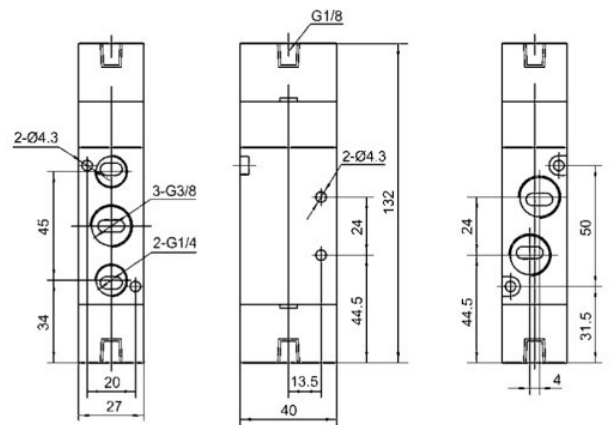
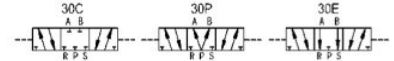
4A320-10



4A330-08



4A330-10



4V400

Low power consumption exhaust for the pilot and main valve, small size, large flow, good appearance, flexible, can be integrated installation, high wear resistant and long life.



Ordering Code

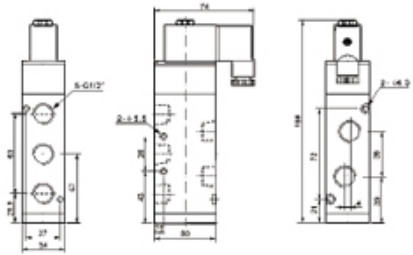
| 4V | 4 | 10 | 12 | B | AC220V | W |
|---|-------------|---|-----------------|---------------------|---------------------|--------------------------------|
| ↓ | ↓ | ↓ | ↓ | ↓ | ↓ | ↓ |
| Type | Series Code | Coil & Position | Joint Pipe Bore | Connection Type | Standard Voltage | Terminal |
| 4V : 5/2 way or 5/3 way Solenoid Valve | 400 Series | 10 : Single-Coil double position | 15 : 1/2" | Blank : Thread type | DC12V | Blank : Black Connector |
| 4A : 5/2 way or 5/3 way pneumatic Control Valve | | 20 : Double-coil double position | | B : Namur | DC24V | LD : Brown with LED Connector |
| 3V : 3/2 way Solenoid Valve | | 30C : Double-coil three position center close type | | | AC24V 50Hz/60Hz | LD1 : White with LED Connector |
| 3A : 3/2 way pneumatic Control Valve | | 30E : Double coil three position center exhaust type | | | AC110V 50Hz/60Hz | W : Lead wire type |
| | | 30P : Double-coil three-position center pressure type | | | AC220V 50Hz/60Hz | |
| | | | | | AC380V 50Hz/60Hz | |

Specification

| Model | 4V410-15 | 4V420-15 | 4V430C-15 | 4V430E-15 | 4V430P-15 |
|-----------|-----------------------------|----------|-----------|-----------------------------|-----------|
| | 4A410-15 | 4A420-15 | 4A430C-15 | 4A430E-15 | 4A430P-15 |
| Type | 5/2 | | | 5/2 | |
| Flow Rate | 50mm ² (Cv=2.79) | | | 30mm ² (Cv=1.68) | |

| Model | 3V410-15 | 3V420-15 | 3A410-15 | 3AV420-25 |
|--------------------------------------|----------------------------------|----------|----------|-----------|
| Type | 3/2 | | | |
| Flow Rate | 50mm ² (Cv=2.79) | | | |
| Connection Ports | Inlet = Outlet = Exhaust = G1/2" | | | |
| Media | Clean air | | | |
| Working Type | Pilot | | | |
| Working Pressure | 0.15 ~ 0.8MPa | | | |
| Max. Pressure | 1.2MPa | | | |
| Ambient Temp. | -5 ~ 50°C | | | |
| Voltage Tolerance | ±10% | | | |
| Power | AC: 4.5VA DC: 3W | | | |
| Insulation Class Protection Class | F class. IP65 | | | |
| Terminal | Flying Lead or Din 43650B PIN | | | |
| Frequency | 5 cycles/s | | | |
| Response time | 0.05s | | | |

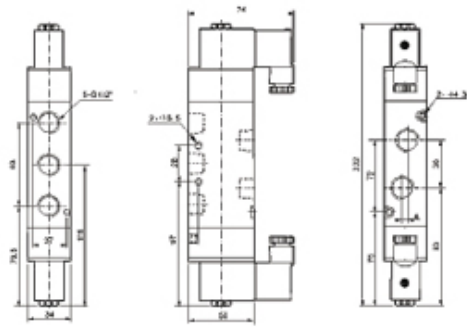
4V410-15



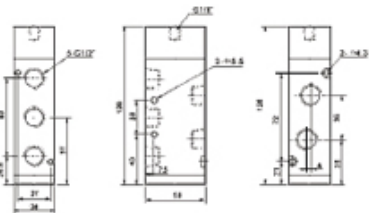
4V420-15



4V430-15



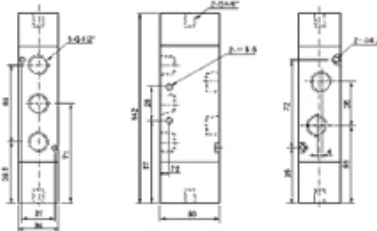
4A410-15



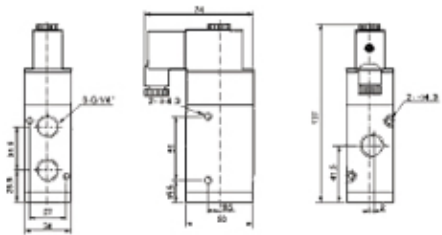
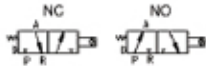
4A420-15



4A430-15



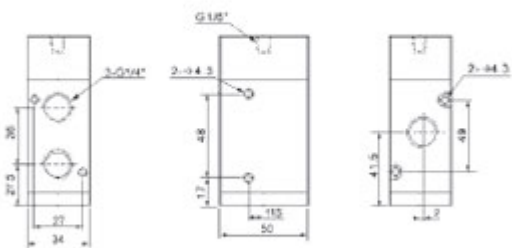
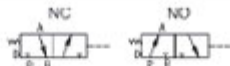
3V410-15



3V420-15



3A410-15



3A420-15

