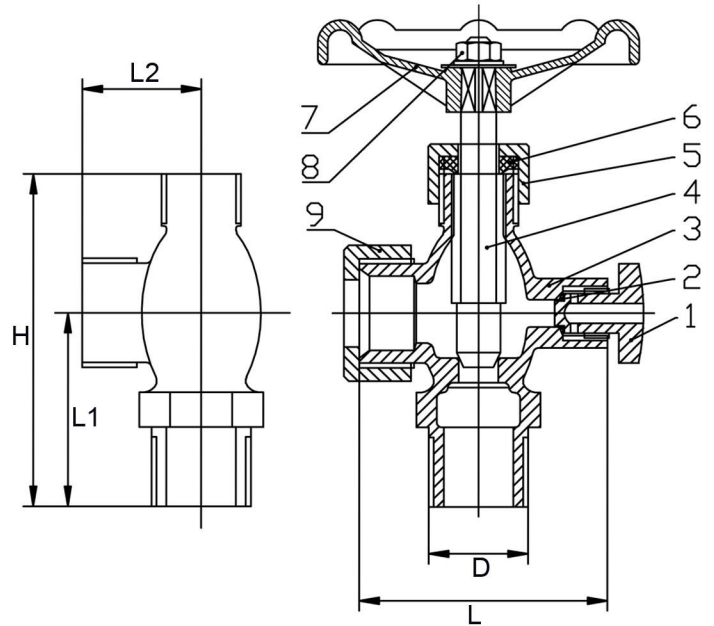
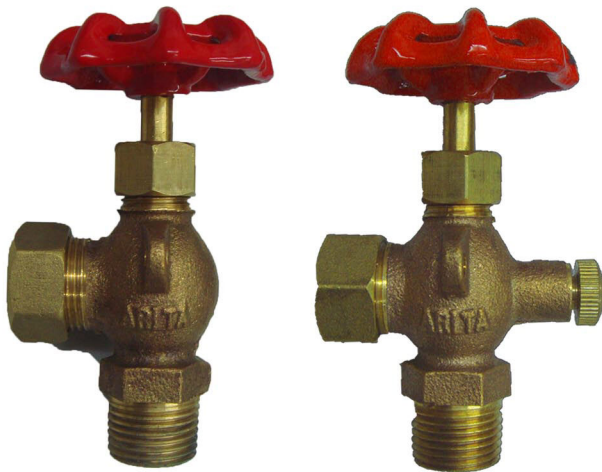


Bronze Water Level Gauge Cock BSPT



This Level Gauge Cock is useful to check level on the boilers or tanks, the wheel determines the opening or closing of the valve according to the amount of fluid wanted on the glass.

Features:

Max. Pressure Range : 150 PSI
 Max. Temperature : 100°C
 Body Material : Bronze

Material

No.	Part Name	Material
1	Plug Nozzle	Bronze
2	Seat Ring	EPDM
3	Body	Bronze
4	Stem	Brass
5	Gland	Brass
6	Packing Nut	PTFE
7	Hand Wheel	Cast Iron
8	Cap Nut	Bronze
9	Glass Nut	Bronze

Dimension (mm)

Size	D	L	L1	L2	H	Wt.(kg)
1/2"	15	50	39	24	67	0.6
3/4"	20	50	39	24	67	0.6