



UNIMECH GROUP, MALAYSIA



A MEMBER OF UNIMECH GROUP, MALAYSIA

Y-STRAINER FLANGED END JIS 10K



ARF-805FE (J)

Arita Cast Iron Y-Strainer is a devices which provides a mean to remove debris from a flowing fluid in a pipeline. A perforated screen or mesh is used to trap the debris in the strainer chamber. The strainer chamber is designed with a plug or cover that can be easily removed for maintenance purposes. The Y-Strainer can be installed either in horizontal or vertical down position and must be always before the valve or equipment.

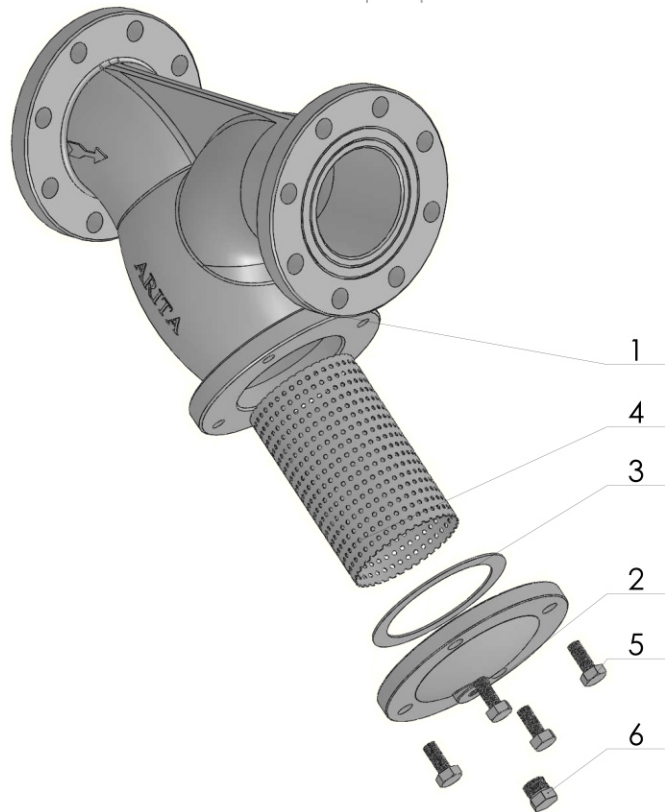
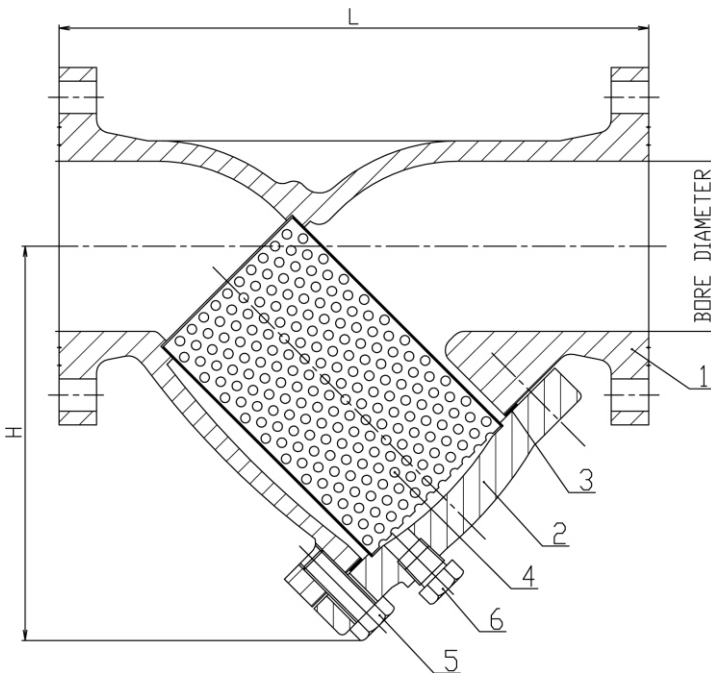
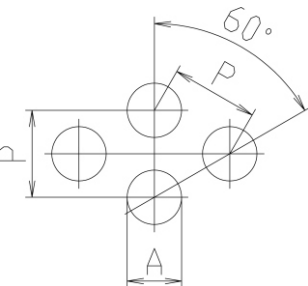
Dimension in mm (JIS 10K)

SIZES		BORE DIAMETER	L	H	Cv	WT KG
DN	In.					
40	1 1/2	40	193	110	26	6
50	2	50	234	160	50	9
65	2 1/2	65	270	190	94	14
80	3	80	295	210	160	17
100	4	100	355	260	260	27
125	5	125	400	300	480	46
150	6	150	455	330	750	54
200	8	200	554	400	1300	90
250	10	250	660	500	2300	136
300	12	300	795	600	3000	213
350	14	350	910	650	5400	225

Note : Cv = US Gallon per minutes

Screen Dimensions

Size	A	P	Thickness
1 1/2"~4"	1.5	3.0	0.5
5"~10"	3.0	5.0	0.7
12"~14"	5.0	8.0	0.8



Pressure Test

Working Pressure	Hydrostatic Test	
14kgf/cm ²	Body	21kgf/cm ²

Pressure - Temperature

Temperature °C	-10 ~ 120	150	180	200
Pressure Mpa (Kgf/cm ²)	0.98 (10.0)	0.88 (9.0)	0.83 (8.5)	0.78 (8.0)

* Note: For non-shock water, at 120°C, the allowable pressure is 1.37Mpa (14kgf/cm²)

Design Standard:

JIS B2210
ARITA Std.
JIS B2003

Flanged Ends
Face to Face Distance
Test Standard





UNIMECH GROUP, MALAYSIA



A MEMBER OF UNIMECH GROUP, MALAYSIA

Y-STRAINER FLANGED END CLASS 125



ARF-805FE (A)

Arita Cast Iron Y-Strainer is a device which provides a means to remove debris from a flowing fluid in a pipeline. A perforated screen or mesh is used to trap the debris in the strainer chamber. The strainer chamber is designed with a plug or cover that can be easily removed for maintenance purposes. The Y-Strainer can be installed either in horizontal or vertical down position and must be always before the valve or equipment.

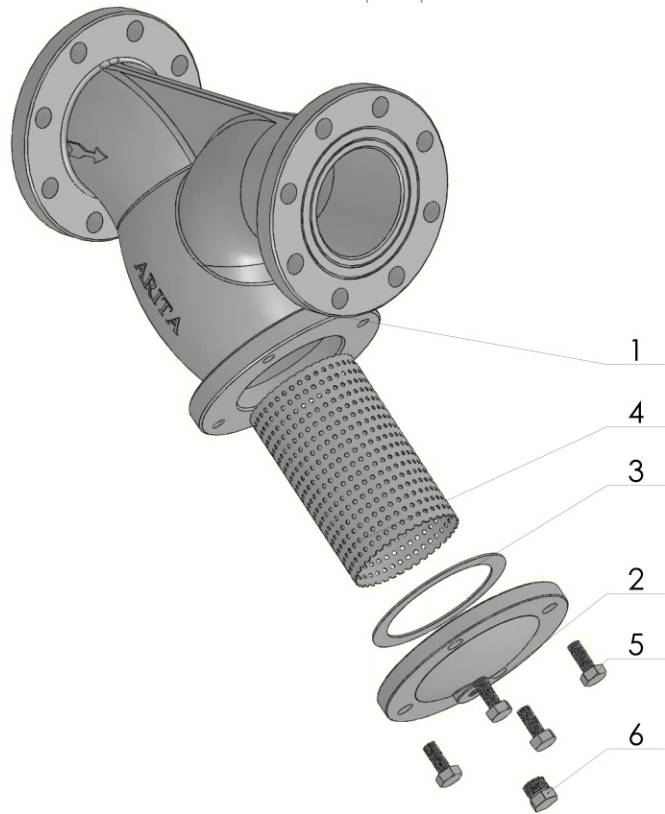
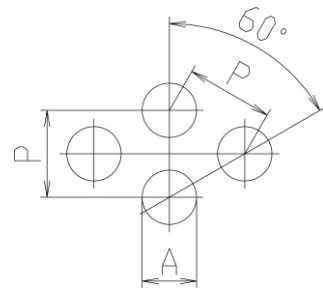
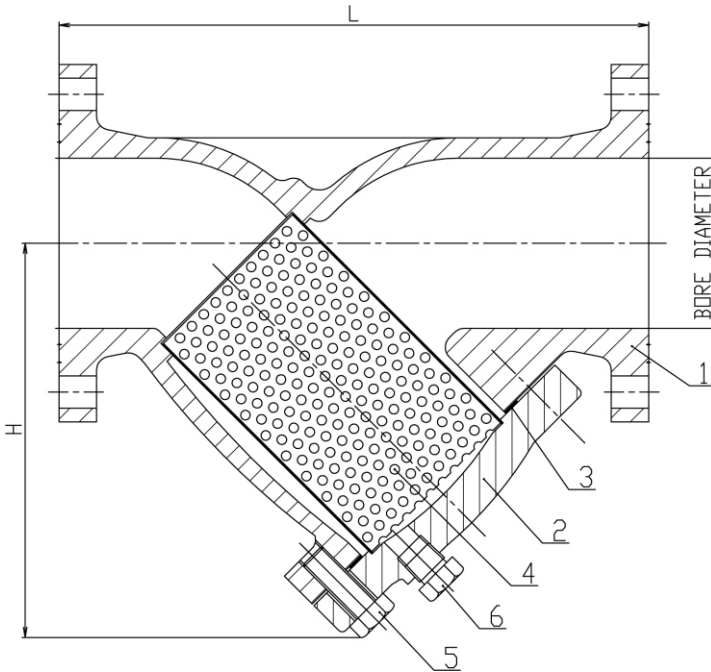
Dimension in mm (CLASS 125)

SIZES		BORE DIAMETER	L	H	Cv	WT KG
DN	In.					
40	1 1/2	40	193	110	26	6
50	2	50	234	160	50	9
65	2 1/2	65	270	190	94	14
80	3	80	295	210	160	17
100	4	100	355	260	260	29
125	5	125	400	300	480	44
150	6	150	455	330	750	54
200	8	200	554	400	1300	90
250	10	250	660	500	2300	136
300	12	300	795	600	3000	213
350	14	350	910	650	5400	225

Note : Cv = US Gallon per minutes

Screen Dimensions

Size	A	P	Thickness
1 1/2"~4"	1.5	3.0	0.5
5"~10"	3.0	5.0	0.7
12"~14"	5.0	8.0	0.8



Material

No.	PART	QTY.	MATERIAL
1	BODY	1	ASTM A126 CLASS B
2	CAP*	1	ASTM A126 CLASS B
3	GASKET	1	ASBESTOS
4	SCREEN	1	CF8
5	CAP BOLT	4~12	MILD STEEL
6	PLUG	1	MILD STEEL

Note* : Size 1 1/2" with plug cover

Pressure Test

Working Pressure	Hydrostatic Test	
200 psi	Body	300 psi

Pressure - Temperature

Temperature °C	-10 ~ 120	150	180	200
Pressure psi (Kgf/cm ²)	145 (10.0)	130 (9.0)	123 (8.5)	116 (8.0)

* Note: For non-shock water, at 120°C, the allowable pressure is 200 psi (14kgf/cm²)

Design Standard:

ANSI B16.1
ARITA Std.
API 598

Flanged Ends
Face to Face Distance
Pressure Test

