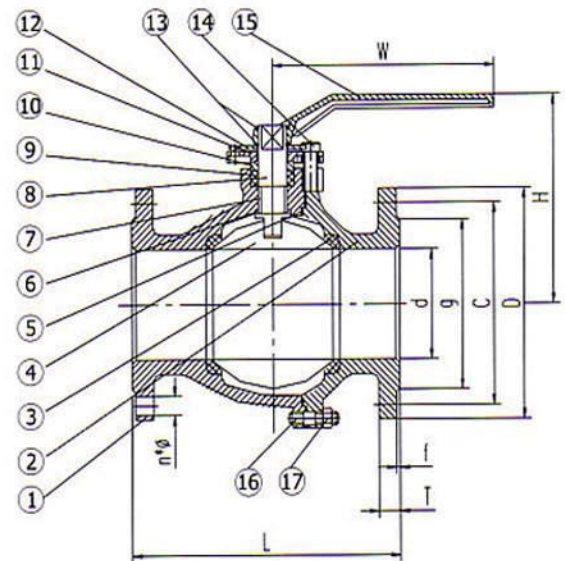


Class 150 Ball Valve (Full Bore)

Model: SB-A1



Materials

NO.	PARTS	MATERIALS
1	BODY	CF8M,SCS14; CF8,SCS13; CF3M,SCS16
2	CAP	CF8M,SCS14; CF8,SCS13; CF3M,SCS16
3	BALL SEATS	PTFE
4	BALL SEATS	S.S316,S.S304,SUS14,SUS13
5	GASKET	PTFE
6	THRUST WASHER	PTFE
7	BUSHING	PTFE
8	STEM	S.S316,S.SUS14,S.S304,SUS13
9	STEM PACKING	PTFE
10	GLAND	S.S316,S.SUS14,S.S304,SUS13
11	GLAND FLANGE	CF8M,SCS14; CF8,SCS13
12	LOCK PLATE	CF8M,SCS14; CF8,SCS13
13	RETAILING RING	S.S304, SUS13
14	GLAND BOLT	S.S304, SUS13
15	HANDLE	QT400-15
16	BOLT	S.S304, SUS13
17	NUT	S.S304, SUS13

STANDARD

DESIGN : BS5351/API

FACE TO FACE : ANSI B 16.10

FLANGE DIMENSIONS : ANSI B 16.5

TESTING : API 598

APPLICATION

FOR GENERAL CHEMICAL AND INDUSTRIAL SERVICES

APPLICABLE MEDIUM : WATER, OIL, VAPOUR

TEMPERATURE GAUGE : -29 deg C ~ +120 deg C

BODY MATERIAL : CF8M, CF8, CF3M, SCS13, SCS14, SCS16, WCB

Dimensions

MM

SIZE	INCH	1/2	3/4	1	1 1/4	1 1/2	2	2 1/2	3	4	5	6	8	10	12
INCH	MM	15	20	25	32	40	50	65	80	100	125	150	200	250	300
L		108	117	127	140	165	178	190	203	229	356	394	457	533	610
D		89	98	108	117	127	152	178	190	229	254	279	343	406	483
C		60.5	70	79.5	89	98.5	120.5	139.5	152.5	190.5	216	241.5	298.5	362	432
g		35	43	51	64	73	92	105	127	157	186	216	270	324	381
T		12	12	12	13	15	16	18	19	24	24	26	29	31	32
t		1.6	1.6	1.6	1.6	1.6	1.6	1.6	1.6	1.6	1.6	1.6	1.6	1.6	1.6
W		115	115	150	150	200	200	320	320	450	800	800	1100	1100	1400
H		55	59	70	76	97	106	141	150	183	230	250	342	345	479
n*Φ		4*Φ15	4*Φ15	4*Φ15	4*Φ15	4*Φ15	4*Φ19	4*Φ19	4*Φ19	8*Φ19	8*Φ22	8*Φ22	8*Φ22	12*Φ25	12*Φ25