

UNIJIN[®] PROCESS INDUSTRIAL PRESSURE GAUGE

Model : P253 (Dry) / P259 (Oil Filled)

P253 (Dry) & P259 (Oil Filled) with bayonet casing models are designed for corrosive environment which media do not corrode the brass and which do not have high viscosity or do not crystallize. Typical application include chemical, petro-chemical, refining, marine, power plants pumps, compressors, hydraulic and etc. Systems or equipment with pulsating pressure or mechanical shock & vibration are apparent, the oil filled model is recommended.



Standard Specification

Dial Size

63, 100 mm

Scale Range (kgf/cm², psi, bar, kPa, MPa)

-76cmHg ~ 0 to 0 ~ 700 kgf/cm²

Blow Protection

Back, Rubber Disc

Degree Protection

IP 65 and IP 67

Working Pressure

Steady : 75% of Full Scale

Over Range Protection : 130% of Full Scale

Accuracy

63mm : ± 1.6% of Full Scale

100mm : ± 1.0% of Full Scale

Working Temperature

Ambient : -20 ~ 60°C

Process : Max 60°C, Max 60°C for Oil Filled model

Material

Case & Cover : 304SS

Window : Tempered Glass

Element Tube : Brass

Connection : Brass

Oil Filling : Glycerin Oil / Silicon Oil

Pressure Gauge Ordering Information

Model

P253 / P259

Mounting Type

A: Direct bottom connection

B: Bottom connection with surface mounting plate

G: Lower back connection

N: Lower back connection with panel mounting plate

Dial Size

63 or 100mm

Scale Range

Connection Type

1/4" BSPT, NPT, BSP

3/8" BSPT, NPT, BSP

1/2" BSPT, NPT, BSP

Options

Oil Filled

Adjustable pointer

Example of Order

Model

P253

Mounting Type

(A)

Dial Size

100mm

Scale Range

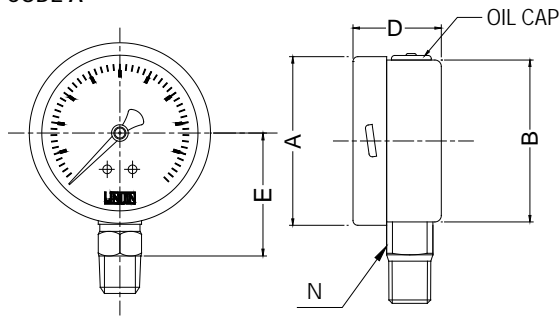
0~ 7 kgf/cm²

Connection

3/8" BSPT

Basic Dimensions

CODE A

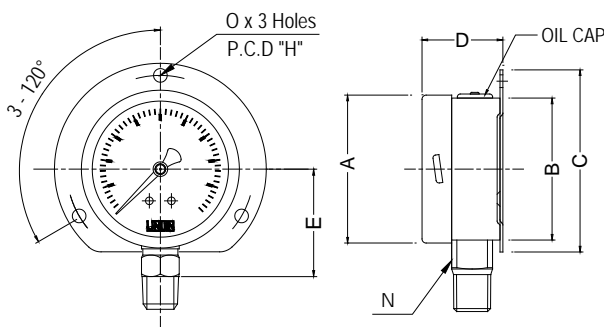


A: Direct bottom connection

Unit : mm

	ø 63	ø 100
A	64.0	100.6
B	62.0	98.6
D	32.7	49.5
E	41.0	65.0
N	14.0	22.0

CODE B

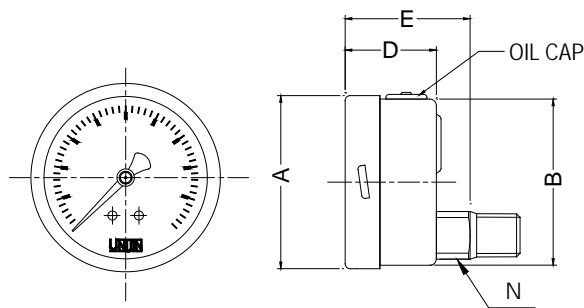


B: Bottom connection with surface mounting plate

Unit : mm

	ø 63	ø 100
A	64.0	100.6
B	62.0	98.6
C	79.0	122.0
D	35.7	53.3
E	41.0	65.0
H	78.4	117.5
N	14.0	22.0
O	4.3	6.0

CODE G

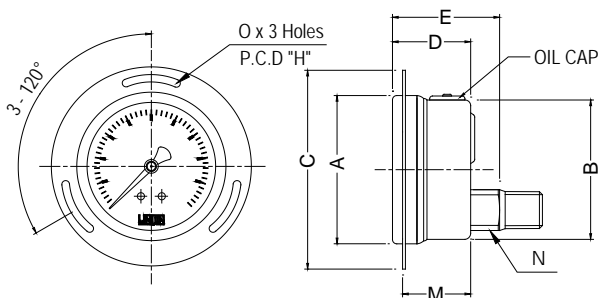


G: Lower back connection

Unit : mm

	ø 100
A	100.8
B	98.8
D	49.6
E	62.0
N	22.0

CODE N



N: Lower back connection with panel mounting plate

Unit : mm

	ø 100
A	100.8
B	98.8
C	130.5
D	49.6
E	62.0
H	116.0
M	45.0
N	22.0
O	5.0