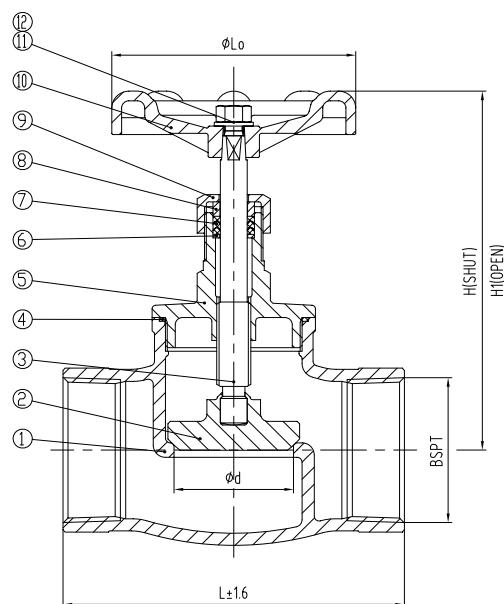


ARITA STAINLESS STEEL GLOBE VALVE

CLASS 200 / 600 GLOBE VALVE (BSPT)

ARV-102SE



STANDARD COMPONENT MATERIAL

NO	DESCRIPTION	QTY.	MATERIAL
1	Body	1	Stainless Steel
2	Disc	1	Stainless Steel
3	Stem	1	Stainless Steel
4	Gasket	1	RPTFE
5	Bonnet	1	Stainless Steel
6	Washer	1	Stainless Steel
7	Packing	1	RPTFE
8	Gland	1	Stainless Steel
9	Packing Nut	1	Stainless Steel
10	Handwheel	1	Aluminium
11	Spring Washer	1	Steel
12	Nut	1	Steel

SPECIFICATIONS

- Stainless steel body and bonnet
- Screwed end (BSPT)
- Applicable temperature : -20 ~ 180 ° C
- Applicable media : W.O.G. and steam

TEST PRESSURE

Nominal Pressure	:	200 Psi (1.4 MPa)
Shell Test Pressure	:	300 Psi (2.1 MPa)
Seat Test Pressure	:	220 Psi (1.5 MPa)
Gas Seat Test Pressure	:	90 Psi (0.6 MPa)

DIMENSION TABLE (MM)

DN	L	d	BSPT	Lo	H	H1	Weight (Kg)
15	65	14	1/2	70	86	94	0.35
20	75	20	3/4	70	92	100	0.33
25	90	24	1	80	103	117	0.47
32	105	31	1-1/4	100	122	138	0.66
40	120	38	1-1/2	100	130	148	1.07
50	140	49	2	100	150	175	1.60
65	152	60	2-1/2	120	200	229	2.10
80	175	75	3	140	222	256	To be advised