

Dimension In mm (DIN2501 PN10 ; EN1092-2 PN10)

SIZES		A	B	C	ØD1	ØD2	N x M	a°	ØE1	ØE2	ØE3	ØE4	TORQUE (Nm)	Cv	WT. (KG)
DN	In.														
800	32	1263	672	188	794.7	950	24 x M30	7.500	254	18	300	200	4308	8799	415.0
900	36	1376	720	203	864.7	1050	28 x M30	6.430	254	18	300	200	5257	11232	586.0
1000	40	1522	800	216	965.0	1160	28 x M33	6.430	254	18	300	200	8926	13963	760.0
1100	44	1686	883	251	1080.0	1270	32 x M33	5.625	254	18	300	200	10050	16922	960.0
1200	48	1805	941	276	1160.6	1380	32 x M36	5.625	298	22	350	230	12580	19967	1152.0

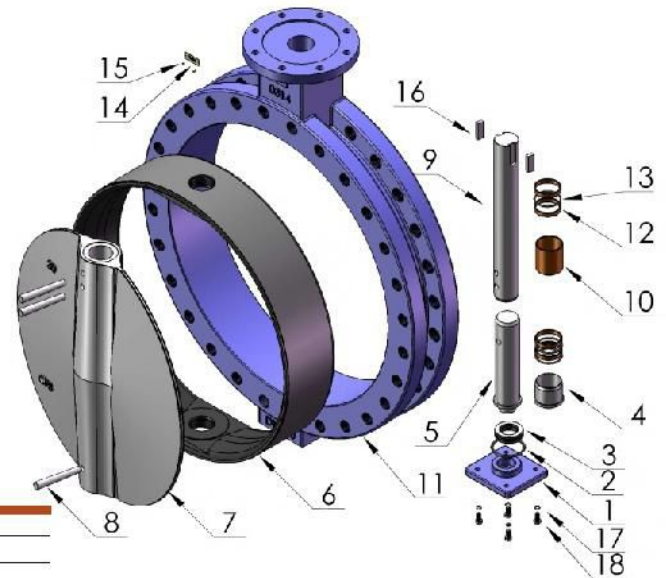
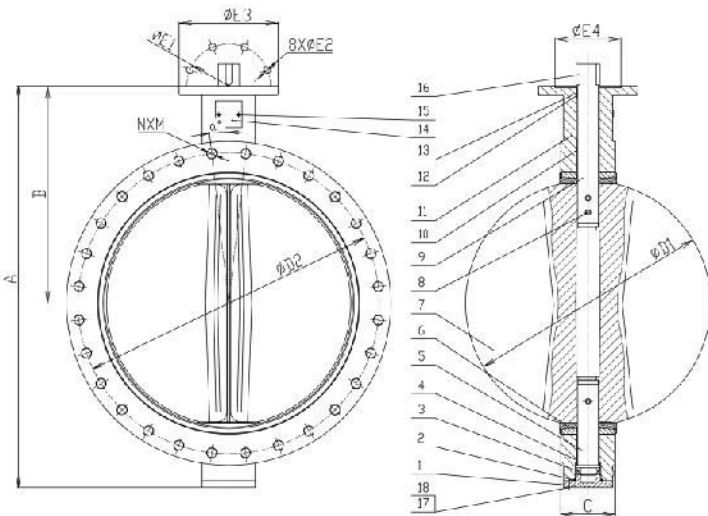
Note : Cv = US Gallon per minutes

Pressure Test

Working Pressure	1.0 MPa	1.6 MPa	10K	ANSI 125		ANSI 150
SIZE	2"-40"	2"-24"		2"-12"	14"-24"	2"-12"
Hydrostatic Test	Seal 1.1 MPa Body 1.5 MPa	1.76 MPa 2.4 MPa	1.54 MPa 2.1 MPa	1.52 MPa 2.1 MPa	1.14 MPa 1.55 MPa	2.2 MPa 3.0 MPa

Working Temperature

Temperature °C	-10 - 80	-15 - 140	-20 - 150	-20 - 180
Seat Material	NBR	EPDM	VITON	PTFE



Material

No.	PART	QTY.	MATERIAL
1	COVER	1	GG-20 / GGG-40
2	LOWER 'O' RING	1	NBR / EPDM / VITON
3	BEARING	1	BEARING STEEL
4	BUSHING	1	BRONZE
5	LOWER STEM	1	X12CrS13 / X5CrNiMo17-12-2 / X20Cr13
6	SEAT	1	NBR / EPDM / VITON
7	DISC	1	DUCTILE IRON/COATING NYLON/PTFE/NICKEL BRONZE/G-X6CrNi18-9/G-X6CrNiMo18-10/POLISHED
8	TAPER PIN	3	X12CrS13 / X5CrNiMo17-12-2
9	UPPER STEM	1	X12CrS13 / X5CrNiMo17-12-2 / X20Cr13
10	BUSHING	1	PTFE / BRONZE
11	BODY	1	GG-20 / GGG-40
12	BUSHING	4	PTFE / BRONZE
13	'O' RING	3	NBR / EPDM / VITON
14	NAMEPLATE	1	ALUMINIUM
15	RIVET	2	ALUMINIUM
16	KEY	2	CARBON STEEL
17	BOLT	4	CARBON STEEL
18	SPRING WASHER	4	SPRING STEEL

Standard:

Design Standard	: BS EN593
Face to Face	: BS EN558-1 / ISO5752 / JIS B2002
Flange Connection	: EN1092-2 PN10/16 ; DIN2501 PN10/16 ; BS4504 PN10/16.
Top Flange	: ISO 5211
Test Standard	: BS EN12266-1 / API 598

The contents of this literature are for informative purposes only. Arita is not responsible for suitability or compatibility of these products in relation to system requirement. For specific requirements, consult Arita or its distributors. Arita reserves the right to change or modify product design without prior notice.



A MEMBER OF UNIMECH GROUP, MALAYSIA

©2010 Arita Valve ARV-WLTD4P402210H- 09/10

ARITA is a registered trade mark of Unimech Group, Malaysia.