



UNIMECH GROUP, MALAYSIA



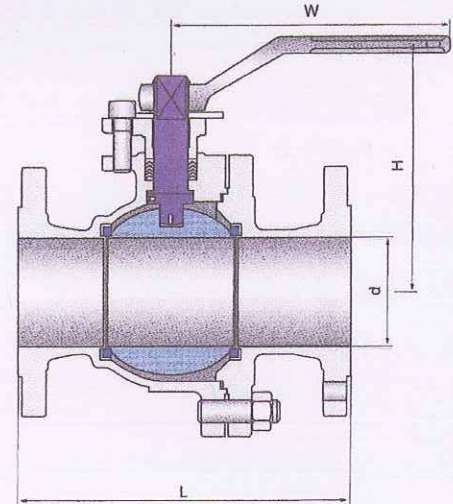
A MEMBER OF UNIMECH GROUP, MALAYSIA

CAST STEEL BALL VALVE CLASS 150 FLANGED END

Materials of parts

No	Part Name	ASTM Material		
		Carbon Steel	18Cr-9Ni-2Mo	Carbon Steel
1	Body	A216-WCB	A351-CF8M	A352-LCB
2	Cap	A216-WCB	A351-CF8M	A352-LCB
3	Ball	A182-F304 ¹⁾	A182-F316	A182-F304 ¹⁾
4	Stem	A276-304	A276-316	A276-304
5	Seat Ring		R.PTFE	
6	Cap Gasket	Graphite+304 ²⁾	PTFE	Graphite+304 ²⁾
7	Cap Stud	A193-B7	A193-B8	A320-L7
8	Cap Stud Nut	A194-2H	A194-8	A194-4
9	Packing		PTFE	
10	Gland Flange	A216-WCB	A351-CF8M	A352-LCB
11	Gland Bolt	A193-B7	A193-B8	A193-B7
12	Stop Plate	Carbon Steel	Carbon Steel+Zn	Carbon Steel
13	Lever		Carbon Steel	

Note: 1). A105+ENP optional
 2). Spiral wound construction.
 3). Hard Surface: tungsten carbide, chromium carbide or other material.

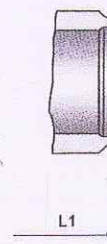


Applicable standards:

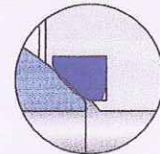
- STEEL BALL VALVES, API 608/API 6D
- STEEL BALL VALVES, ISO 10434/ISO 14313
- FIRE DURABLE, API 607
- ANTI STATIC, API 608
- STEEL VALVES, ASME B 16.34
- FACE TO FACE, API 6D
- END FLANGES, ASME B 16.5
- BUTTWELDING ENDS, ASME B 16.25
- INSPECTION AND TEST, API 598/API 6D

Design description:

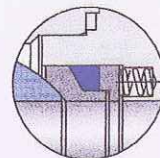
- FULL PORT DESIGN
- BB, BOLTED CAP, SPLIT BODY
- FLOATING BALL TYPE
- BLOW-OUT PROOF STEM
- FIRE DURABLE CONSTRUCTION
- ANTI STATIC DEVICE
- STOPPER DEVICE
- ISO5211 MOUNTING PAD
- FLANGED OR BUTT WELDING ENDS
- AVAILABLE WITH WG OPERATOR



SOFT SEAL SEAT



METAL SEAL SEAT



Dimensions data

NPS	1/2	3/4	1	1 1/2	2	2 1/2	3	4	6	8	10	12	in
DN	15	20	25	40	50	40	80	100	150	200	250	300	mm
ANSI Class 150													
L	4.25	4.62	5.00	6.50	7.00	7.50	8.00	9.00	15.50	18.00	21.00	24.00	in
(RF)	108	117	127	165	178	190	203	229	394	457	533	610	mm
L1	5.50	6.00	6.50	7.50	8.50	9.50	11.12	12.00	18.00	20.50	22.00	25.00	in
(BW)	140	152	165	190	216	241	283	305	457	521	559	635	mm
H	2.12	2.12	2.75	3.50	4.12	6.12	7.25	8.00	10.00	11.00	13.50	16.50	in
	55	55	70	90	105	155	185	205	255	280	345	420	mm
(d)	13	19	25	38	49	62	74	100	150	201	252	303	mm
W	5	5	6	8	14	16	20	20	24	32	32	32	in
	130	130	160	200	350	400	500	500	600	800	800	800	mm
WT	2.3	3	4.5	7	9.5	15	19	33	93	160	200	280	RF
(kg)	1.8	2.8	3.7	6.2	8.5	14	21	35	98	170	225	295	BW