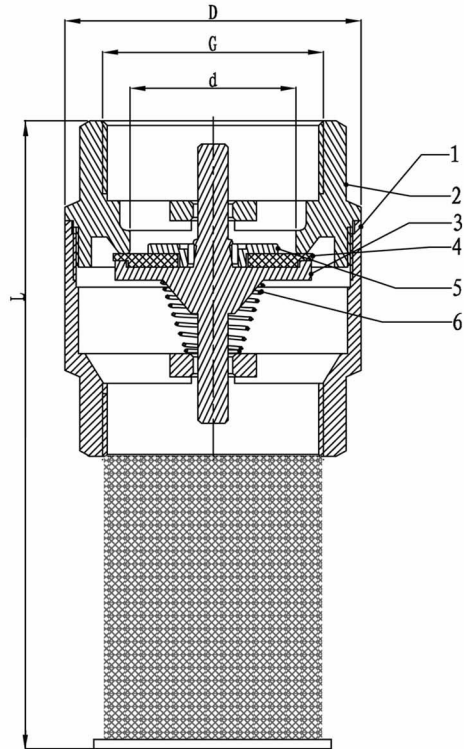


## Spring Check Foot Valve

**Model:** BRPC-S-PN16(F)



### Materials

No.	COMPONENT	MATERIAL
1	BODY	BRASS
2	BONET	BRASS
3	CORE	NYLON
4	SEAL	NBR
5	GASKET	NYLON
6	SPRING	STAINLESS STEEL

**Features :** The valve is designed for vertical, horizontal or angled installation for use in residential and commercial plumbing, sanitary, autoclaves, pump and compressed air systems.

**Application :** Water

**Working Temperature :** 100 °C

**Thread :** BSPT (BS 21) or NPT (ANSI B 1.20.1)

### Dimensions

bar (max)	16	16	16	10	10	10	8	8	8
G	1/2"	3/4"	1"	1 1/4"	1 1/2"	2"	2 1/2"	3"	4"
D (mm)	33	42	48	59.2	68	81.2	103	111	140
L (mm)	66	71	87	97	111	129	159.5	170	193.5
d (mm)	15	23	27.5	39	42	54	68	78	100
WEIGHT (g)	127	190	255	332	530	745	1645	2005	3200