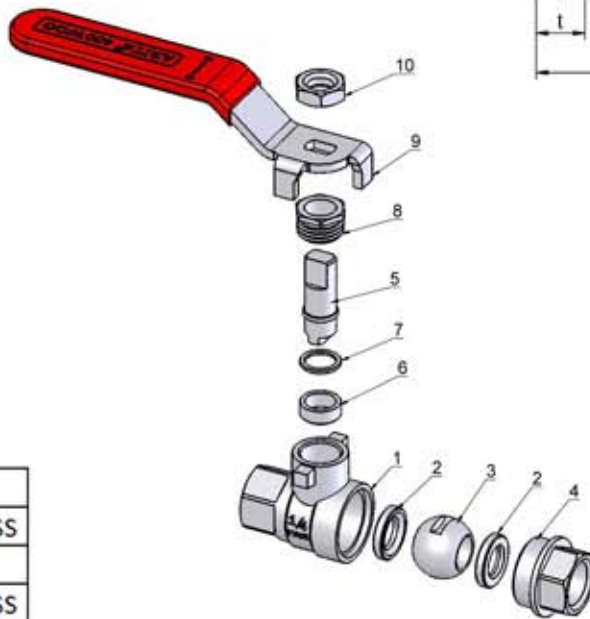
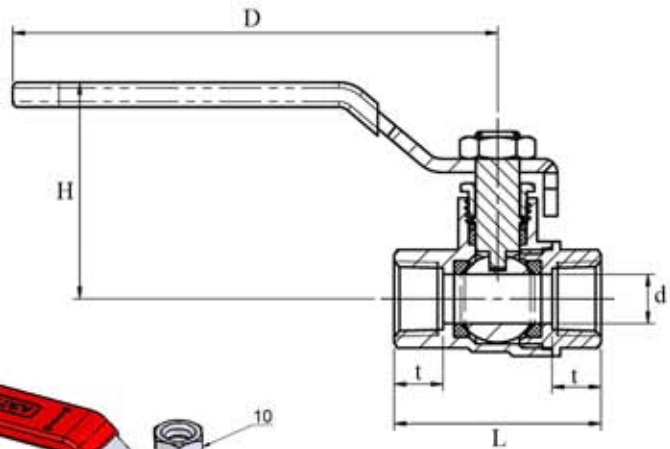


PN 25 / Class 400 Reduce Bore Ball Valve

Model: BRB-S-400(RB)



Materials

NO.	COMPONENT	MATERIAL
1	BODY	CHROMED BRASS
2	SEAT	PTFE
3	BALL	CHROMED BRASS
4	CAP	CHROMED BRASS
5	STEM	CHROMED BRASS
6	PACKING GLAND	PTFE
7	PACKING NUT	PTFE
8	GLAND	CHROMED BRASS
9	HANDLE	STEEL
10	HEX-NUT	STEEL

Features : This kind of ball valve can be used in equipment or pipe system to open or shut the passageway for controlling the flow of medium.

Application : Water, Oil & Gas

Working Temperature : 120 °C

Thread : BSPT (BS 21) or NPT (ANSI B 1.20.1)

Dimensions

SIZE	INCH	1/4	3/8	1/2	3/4	1	1 1/4	1 1/2	2	2 1/2	3	4
	MM	8	10	15	20	25	32	40	50	65	80	100
d (mm)		9	10	13.5	18	23	30	37	47	59	69	84
H(mm)		39.7	40.7	47.8	50.5	60.5	65	80.5	92	115.5	124	135.5
D(mm)		89	89	98.5	98.5	125	125	140	140	236	283	283
L(mm)		38	43	48	58	64	73	83	99	125	153	171
t(mm)		9	10	12	14.5	14.5	14.5	15	17.5	23	29	29.5
Wt. (g)		104	128	162	248	380	492	754	1182	2560	3960	5515