



UNIMECH GROUP, MALAYSIA



A MEMBER OF UNIMECH GROUP, MALAYSIA

## FULL BORE ONE-PIECE WAFER TYPE BALL VALVE FLANGED END PN 16

ISO 9001 : 2000



Arita ball valves bodies are of 1 piece design. The stainless steel bodies are investment cast to provide high quality finishing and strength. The full port design minimizes pressure drops across the valve and gives smooth flow characteristics. There are options for ball seat materials, namely PTFE, RPTFE, PPL and PEEK that allow the valves to be employed in environment above 300°C. Other features incorporated are blowout proof stem, adjustable stem packing, low operating torque and lockable handle. This product is suitable for general and industrial applications.

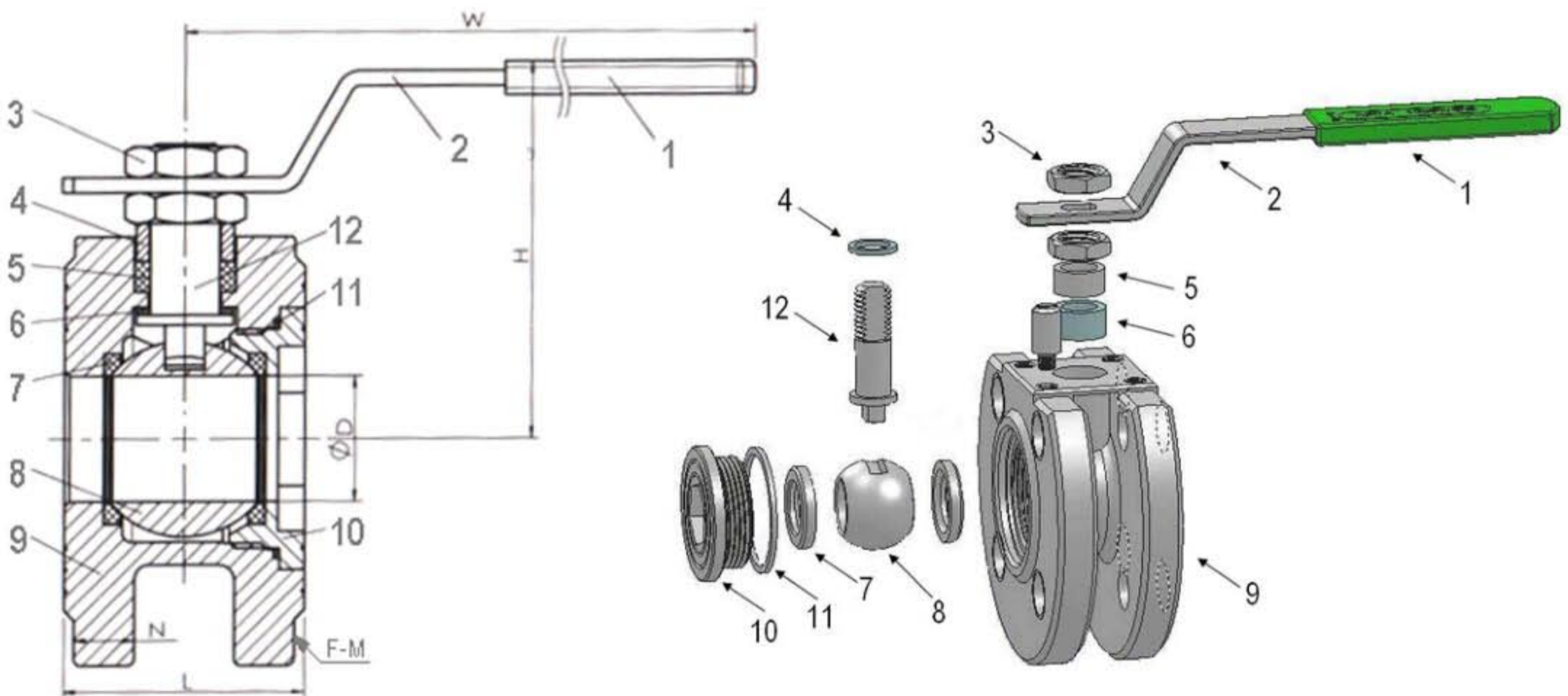
## Dimension in mm

SIZES		ΦD	L	H	W	F	M	N	WT. (KG)
DN	in.								
15	1/2	15	40	63	125	4	M12	11.5	1.2
20	3/4	20	44	68	125	4	M12	12	1.6
25	1	25	48	80	167	4	M12	12	2.0
32	1.1/4	32	54	87	167	4	M16	14	2.8
40	1.1/2	38	62	104	190	4	M16	11.5	4.0
50	2	50	71	110	240	4	M16	14	5.2
65	2.1/2	65	90	128	310	4	M16	15	8.0
80	3	76	110	135	310	8	M16	16.5	12.0
100	4	80	135	151	295	8	M16	19	16.7

## Material

No.	PART	QTY.	MATERIAL
1	PLASTIC COVER	1	PLASTIC
2	HANDLE	1	SUS 304 / 316
3	NUT	2	SUS 304 / 316
4	RING	1	SUS 304 / 316
5	STEM PACKING	1	RPTFE / PTFE
6	STEM SEAL	1	RPTFE / PTFE
7	BALL SEAT	2	RPTFE / PTFE / PPL / PEEK
8	BALL	1	CF8 / CF8M / WCB
9	BODY	1	CF8 / CF8M / WCB
10	BODY CAP	1	CF8 / CF8M / WCB
11	GASKET	1	RPTFE / PTFE
12	STEM	1	SUS 304 / 316

\* PTFE-120°C RPTFE-200°C PPL-300°C PEEK-350°C



### Features

- \* Flanged End : PN 16
- \* Wafer Flanged Type
- \* Blow-out proof stem / Full Bore
- \* Investment Casting Body
- \* 1000psi (69 Bar) W.O.G. / PN63
- \* Material : S45C / ASTM A216Gr-WCB / DIN 1.0619  
SS304 / ATSM A351Gr-CF8 / DIN 1.4308  
SS316 / ASTM A351Gr-CF8M / DIN 1.4408

- \* Wall Thickness : ASME B16.34
- \* Design Standard : EN12516
- \* Flange Standard : DIN2542-DIN2545
- \* Test Standard : DIN3230, EN12266

