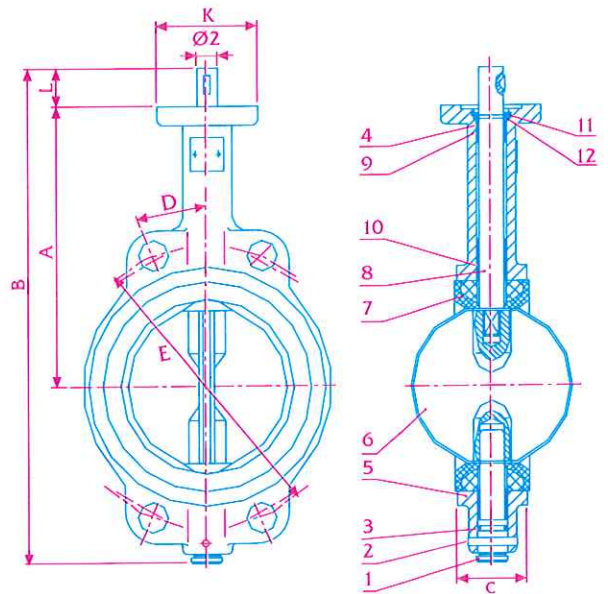


## Type 'A' Wafer Slim-disc Butterfly Valve Universal Flange (Lever & Gear Operator)

**Model: SBV-G-J3**

**Model: SBV-L-J3**



### Materials

No	Parts	Q'TY	Materies
①	Low Shaft	1	SS316
②	Lock Pin	1	SS304
③	"O" Ring	2	EPDM
④	Bushing (Short)	2	F4
⑤	Body	1	SS 316
⑥	Disc	1	CF 8M
⑦	Seat	1	PTFE
⑧	Upper Shaft	1	SS316
⑨	"O" Ring	1	EPDM
⑩	Bushing (Long)	1	F4
⑪	Keeping Ring	1	65Mn
⑫	Bisect Ring	2	SS416

Hydrostatic shell test	2.40MPa (24.5kgf/cm <sup>2</sup> )
Hydrostatic seat test	1.76MPa (18kgf/cm <sup>2</sup> )
Max. Temperature	120 °C

### Dimensions

Size	A	B	C	L	D	K	E	Ø2
DN50 (2")	161	280	43	32	45	77	120	12.6
DN65 (2.5")	175	303	46	32	45	77	136.13	12.6
DN80 (3")	181	315	45.21	32	$\frac{45}{22.5}$	77	$\frac{152.4}{154.5}$	12.6
DN100 (4")	200	353	52.07	32	22.5	92	182.5	15.77
DN125 (5")	213	379	55.5	32	22.5	92	212.5	18.92
DN150 (6")	226	404	55.75	32	22.5	92	238.12	18.92
DN200 (8")	260	487	60.58	45	$\frac{15}{22.5}$	125	$\frac{293}{296.07}$	22.1
DN250 (10")	292	547	68	51	15	125	357	28.45
DN300 (12")	337	631	76.9	51	$\frac{11.25}{15}$	140	$\frac{400}{416.7}$	31.6

mm