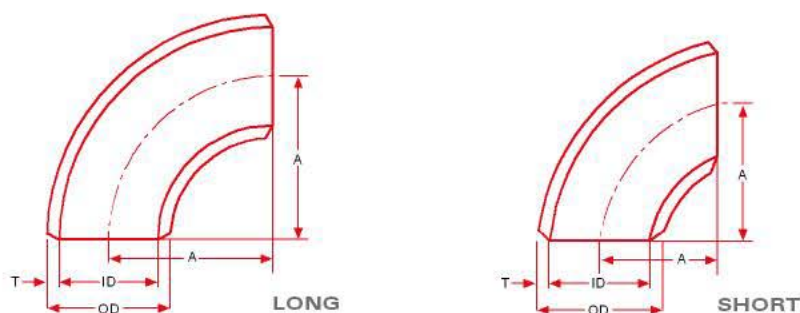


STEEL BUTT-WELDING PIPE FITTINGS

90° ELBOWS

SGP, SCH 40, SCH 80, SCH 120, SCH 160



DIMENSIONS

Unit: mm

Nominal Pipe Size	Outside Diameter OD	SPP (SGP)		Sch40		Sch80		Sch120		Sch160		A	
		Inside Diameter ID	Wall Thickness T	Inside Diameter ID	Wall Thickness T	Inside Diameter ID	Wall Thickness T	Inside Diameter ID	Wall Thickness T	Inside Diameter ID	Wall Thickness T	Long	Short
½	21.7	16.1	2.8	16.1	2.8	14.3	3.7	-	-	-	-	38.1	-
¾	27.2	21.6	2.8	21.4	2.9	19.4	3.9	-	-	-	-	38.1	-
1	34.0	27.6	3.2	27.2	3.4	25.0	4.5	-	-	-	-	38.1	25.4
1¼	42.7	35.7	3.5	35.5	3.6	32.9	4.9	-	-	29.9	6.4	47.6	31.8
1½	48.6	41.6	3.5	41.2	3.7	38.4	5.1	-	-	34.4	7.1	57.2	38.1
2	60.5	52.9	3.8	52.7	3.9	49.5	5.5	-	-	43.1	8.7	76.2	50.8
2½	76.3	67.9	4.2	65.9	5.2	62.3	7.0	-	-	57.3	9.5	95.3	63.5
3	89.1	80.7	4.2	78.1	5.5	73.9	7.6	-	-	66.9	11.1	114.3	76.2
4	114.3	105.3	4.5	102.3	6.0	97.1	8.6	92.1	11.1	87.3	13.5	152.4	101.6
5	139.8	130.8	4.5	126.6	6.6	120.8	9.5	114.4	12.7	108.0	15.9	190.5	127.0
6	165.2	155.2	5.0	151.0	7.1	143.2	11.0	136.6	14.3	128.8	18.2	228.6	152.4
8	216.3	204.7	5.8	199.9	8.2	190.9	12.7	179.9	18.2	170.3	23.0	304.8	203.2
10	267.4	254.2	6.6	248.8	9.3	237.2	15.1	224.6	21.4	210.2	28.6	381.0	254.0
12	318.5	304.7	6.9	297.9	10.3	283.7	17.4	267.7	25.4	251.9	33.3	457.2	304.8
14	355.6	339.8	7.9	333.4	11.1	317.6	19.0	300.0	27.8	284.2	35.7	533.4	355.6
16	406.4	390.6	7.9	381.0	12.7	363.6	21.4	344.6	30.9	325.4	40.5	609.6	406.4
18	457.2	441.4	7.9	428.6	14.3	409.6	23.8	-	-	-	-	685.8	457.2
20	508.0	492.2	7.9	477.8	15.1	455.6	26.2	-	-	-	-	762.0	508.0

DIMENSIONS

Unit: mm

Nominal Pipe Size	Approx. Weight (kg)									
	Long					Short				
	SPP (SGP)	Sch40	Sch80	Sch120	Sch160	SPP (SGP)	Sch40	Sch80	Sch120	Sch160
½	0.078	0.078	0.099	-	-	-	-	-	-	-
¾	0.100	0.103	0.134	-	-	-	-	-	-	-
1	0.146	0.154	0.196	-	-	0.097	0.012	0.131	-	-
1¼	0.252	0.260	0.341	-	0.427	0.169	0.174	0.228	-	-
1½	0.350	0.368	0.492	-	0.653	0.233	0.245	0.328	-	-
2	0.634	0.652	0.891	-	1.33	0.423	0.434	0.594	-	0.887
2½	1.12	1.37	1.79	-	2.34	0.745	0.909	1.19	-	1.56
3	1.58	2.04	2.74	-	3.83	1.05	1.36	1.83	-	2.55
4	2.91	3.84	5.36	6.76	8.03	1.94	2.56	3.58	4.51	5.35
5	4.49	6.48	9.13	11.9	14.5	2.99	4.32	6.09	7.94	9.68
6	7.09	9.94	15.0	19.1	23.7	4.73	6.63	10.0	12.7	15.8
8	14.4	20.1	30.5	42.5	52.5	9.61	13.4	20.3	28.4	35.0
10	25.4	35.4	56.2	77.6	101.0	16.9	23.6	37.5	51.8	67.2
12	38.1	56.2	92.7	132.0	168.0	25.4	37.5	61.8	87.9	112.0
14	56.7	79.0	132.0	188.0	236.0	37.8	52.6	88.0	-	157.0
16	74.3	118.0	194.0	274.0	350.0	49.5	78.3	129.0	-	233.0
18	94.2	168.0	274.0	391.0	494.0	62.8	112.0	183	-	-
20	117.0	220.0	372.0	528.0	676.0	77.7	146.0	248	-	-

• Dimensions Conform to KS B 1522 (JIS B 2311), KS B 1541 (JIS B 2312) Specifications